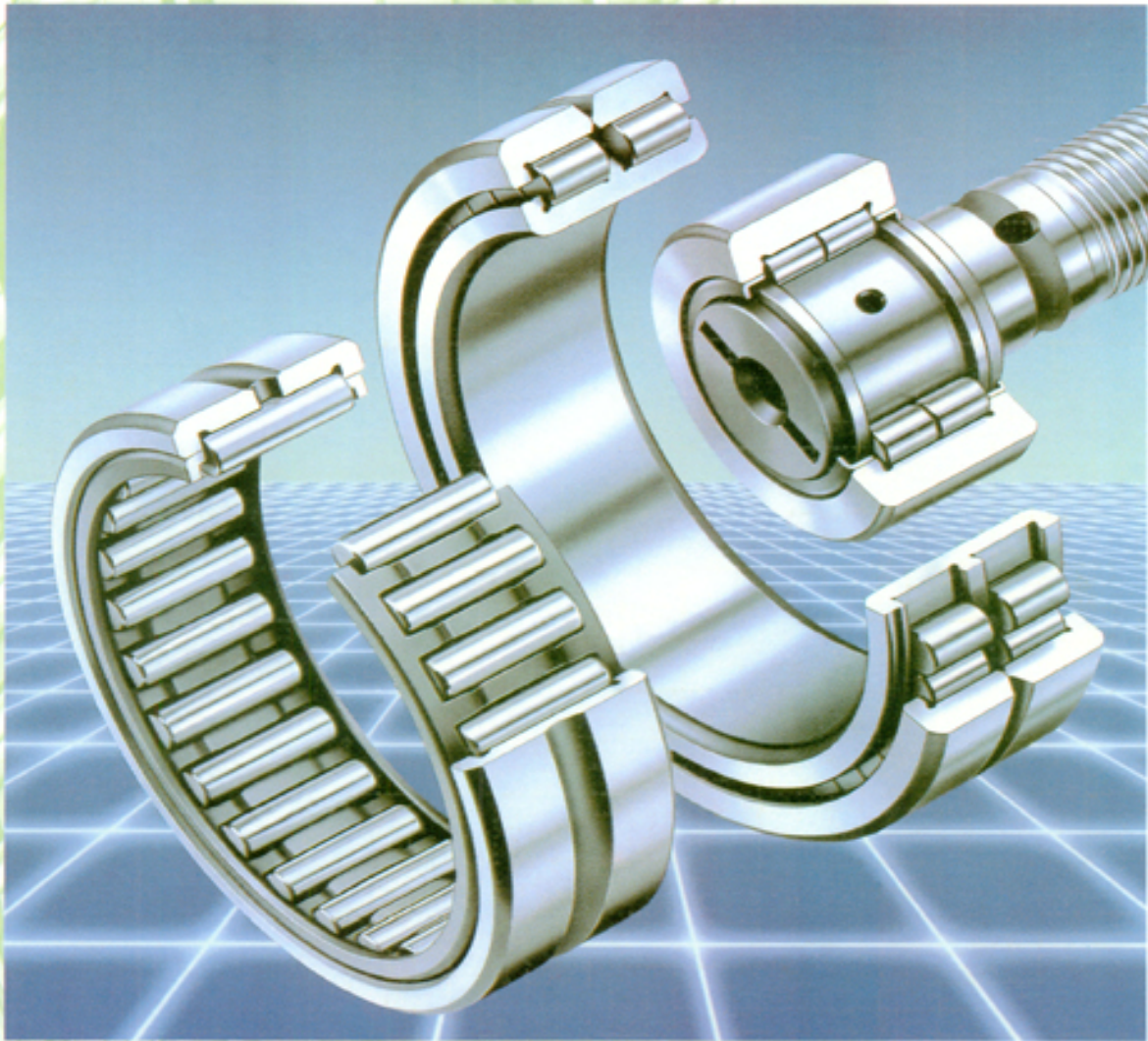




**FAG**





**FAG**

TYPE		PAGE #
NEEDLE ROLLER & CAGE ASSEMBLIES	K / KT	01A - 01G
	TA.Z	02
	HK / TLA.Z	
	HK.RS / TLA.U	03A - 03B
	HK.2RS / TLA.UU	
SHELL TYPE NEEDLE ROLLER BEARINGS	BK / TLAM	04
	SCE / BA.ZOH	05A - 05C
	BCE / BAM.Z	
	SCH / BHA.ZOH	06A - 06B
	BCH / BHAM.Z	
	RNA48 - NA48	07
	RNA49	08
	NA49	09
MACHINED TYPE NEEDLE ROLLER BEARINGS	NA49.2RS / NA49.UU	
	RNA69 - NA69	10
	NK - NKI / TAF - TAFI	11A - 11C
COMBINED NEEDLE ROLLER BEARINGS	NKIA / NATA - NKIB / NATB	12
	NKS - NKIS	13
	RNAO / RNAF	14A - 14B
MACHINED TYPE NEEDLE ROLLER BEARINGS	NAO / NAF	
	TR - TRI	15
	NCS / BR	16
	PI / LRB	
INNER RINGS FOR SHELL TYPE NEEDLE ROLLER BEARINGS	SI / IRB	17
NEEDLE ROLLER BEARINGS	NKX.A / NAX	18
	NKX.Z.A / NAX.Z	
THRUST NEEDLE ROLLER & CAGE ASSEMBLIES	AXK / NTB	19
THRUST WASHERS	AS	
	KR.NMT / CF.R	20
CAM FOLLOWERS	CF / CR.R	
	NATR / NART.R	21
YOKE TYPE TRACK ROLLERS	STO / NAST.R - STO.ZZ / NAST.ZZ	
	GIKR.PB / PHS	22
ROD END	GIKL.PB / PHS.L	
	GAKR.PB / POS	
	GAKL.PB / POS.L	
PLAIN SPHERICAL BUSHINGS	GE.DO / GE.ES - GE.DO.2RS / GE.ES.2RS	23
	GE.FO / GE.GS - GE.FO.2RS / GE.GS.2RS	
LINEAR BUSHINGS	LM - KB / LME - LMB	24
INNER RINGS FOR NEEDLE ROLLER BEARINGS	IR / IRT - LRT - LRTZ	25A-25G



## NEEDLE ROLLER BEARINGS

### PRICE LIST

NB 01-A 0110

01st Jan, 2010

#### NEEDLE ROLLER & CAGE ASSEMBLIES

<u>INA</u>	<u>IKO</u>	<u>PRICE</u>
K 3X5X7 TN	–	177
K 3X5X9 TN	–	177
K 3X6X7 TN	KT 367 N	125
K 4X7X7 TN	KT 477 N	122
K 4X7X10 TN	–	173
–	KT 587 N	145
K 5X8X8 TN	KT 588 N	149
K 5X8X10 TN	–	157
–	KT 697 N	137
K 6X9X8 TN	KT 698 N	138
K 6X9X10 TN	KT 6910	141
K 6X10X13 TN	KT 61013	282
K 7X9X7 TN	–	163
K 7X10X8 TN	KT 7108 N	138
K 7X10X10 TN	KT 71010	147
K 8X11X8 TN	KT 8118 N	147
K 8X11X10 TN	KT 81110	147
K 8X11X13 TN	KT 81113	157
–	KT 8128	161
K 8X12X10 TN	–	163
–	KT 81212	169
K 9X12X10 TN	KT 91210	186
K 9X12X13 TN	KT 91213	317
K 10X13X10 TN	KT 101310	147
K 10X13X13 TN	KT 101313	157
K 10X14X10 TN	KT 101410	176
–	KT 101412	181
K 10X14X13 TN	KT 101413	185
–	KT 101415	201
K 10X16X12 TN	–	266
–	KT 12158	213
K 12X15X10 TN	KT 121510	217
–	KT 121512	221
K 12X15X13 TN	KT 121513	225
K 12X16X10 TN	KT 121610	213
K 12X16X13 TN	KT 121613	217
–	KT 121710	213
K 12X17X13 TN	–	240
K 12X18X12 TN	KT 121812	213
–	KT 121820	249
–	KT 131710	223
–	KT 131815	223



## NEEDLE ROLLER BEARINGS

### PRICE LIST

NB 01-B 0110

01st Jan, 2010

### NEEDLE ROLLER & CAGE ASSEMBLIES

<u>INA</u>	<u>IKO</u>	<u>PRICE</u>
-	KT 131816	229
-	KT 14188	181
K 14X18X10 B	KT 141810	185
-	KT 141811	189
K 14X18X13 A	KT 141813	193
K 14X18X15 TN	-	253
K 14X18X17 A	-	215
-	KT 141820	225
-	KT 141916	213
K 14X20X12 B	KT 142012	213
-	KT 142017	221
K 15X18X17 TN	-	269
K 15X18X22 TN	-	432
-	KT 15199	177
K 15X19X10 A	KT 151910	181
-	KT 151911	185
K 15X19X13 A	KT 151913	189
K 15X19X17 A	KT 151917	201
-	KT 151918	205
-	KT 152010	223
K 15X21X15 A	KT 152115	221
K 16X20X10 A	KT 162010	189
K 16X20X13 A	KT 162013	201
-	KT 162016	221
K 16X20X17 A	KT 162017	234
-	KT 162020	249
-	KT 162120	249
-	KT 162125	324
K 16X22X12 A	KT 162212	201
-	KT 162214	237
K 16X22X16 A	-	241
K 16X22X20 A	KT 162220	249
K 16X24X20 A	KT 162420	249
K 17X21X10 A	KT 172110	201
K 17X21X13 B	KT 172113	215
-	KT 172115	219
K 17X21X17 A	KT 172117	368
-	KT 172220	229
-	KT 172315	245
-	KT 18228	229
K 18X22X10 A	KT 182210	233
K 18X22X13 A	KT 182213	245



## NEEDLE ROLLER BEARINGS

### PRICE LIST

NB 01-C 0110

01st Jan, 2010

#### NEEDLE ROLLER & CAGE ASSEMBLIES

<u>INA</u>	<u>IKO</u>	<u>PRICE</u>
-	KT 182216	261
K 18X22X17 A	-	269
K 18X24X12 A	KT 182412	213
-	KT 182416	273
K 18X24X20 B	KT 182420	291
-	KT 182519	291
K 18X25X22 B	KT 182522	302
-	KT 182620	291
K 19X23X13 A	-	234
K 19X23X17 A	-	256
K 20X24X10 A	KT 202410	215
K 20X24X13 A	KT 202413	234
K 20X24X17 A	KT 202417	256
-	KTW 202422	440
-	KT 202525	366
-	KTW 202531.6	390
-	KTW 202540	718
K 20X26X12 B	KT 202612	291
K 20X26X13 A	-	297
-	KT 202614	306
K 20X26X17 A	KT 202617	312
K 20X26X20 A	KT 202620	322
-	KT 202624	336
-	KT 202627	346
-	KT 202814	322
K 20X28X16	-	455
K 20X28X20 C	KT 202820	461
K 20X28X25 A	-	490
K 20X30X30 A	-	506
-	KT 203225	651
K 21X25X13 A	-	292
K 22X26X10 A	KT 222610	234
-	KT 222611	241
K 22X26X13 A	KT 222613	243
K 22X26X17 A	KT 222617	312
-	KT 222720	312
K 22X28X17	KT 222817	221
-	KT 222912	291
K 22X29X16 A	KT 222916	328
-	KT 222918	332
-	KT 222920	338
K 22X30X15 TN	KT 223015	445



## NEEDLE ROLLER BEARINGS

### PRICE LIST

NB 01-D 0110

01st Jan, 2010

## NEEDLE ROLLER & CAGE ASSEMBLIES

<u>INA</u>	<u>IKO</u>	<u>PRICE</u>
K 22X32X24	–	398
–	KT 233216	394
–	KT 223230	404
–	KT 223232	422
–	KT 232913	314
–	KT 233015	338
–	KT 233016	346
K 24X28X10 A	–	243
K 24X28X13 A	KT 242813	291
–	KT 242816	312
K 24X28X17 A	–	586
K 24X30X17 A	–	326
–	KT 243020	336
K 25X29X10 A	KT 252910	243
K 25X29X13 A	KT 252913	256
K 25X29X17 A	–	292
K 25X30X13 A	KT 253013	291
–	KT 253016	312
K 25X30X17 A	KT 253017	322
K 25X30X20 B	KT 253020	326
K 25X30X26 A	–	580
K 25X31X17 A	KT 253117	324
–	KT 253120	336
K 25X31X21 B	–	423
K 25X32X16 B	KT 253216	358
K 25X33X20 A	–	484
K 25X33X24 B	–	516
–	KT 253515	456
–	KT 253525	553
K 25X35X30 A	KT 253530	561
K 26X30X13 A	KT 263013	306
K 26X30X17 A	–	308
K 26X30X22 A	–	484
–	KT 263832	653
K 28X33X13 B	KT 283313	282
K 28X33X17 A	KT 283317	314
K 28X33X27 TN	KT 283327	372
K 28X34X17	KT 283417	348
K 28X35X16 A	KT 283516	448
K 28X35X18 A	–	452
–	KT 283528	561
–	KT 283620	492



## NEEDLE ROLLER BEARINGS

### PRICE LIST

NB 01-E 0110

01st Jan, 2010

#### NEEDLE ROLLER & CAGE ASSEMBLIES

<u>INA</u>	<u>IKO</u>	<u>PRICE</u>
–	KT 284138	834
K 30X34X13	–	692
K 30X35X13 B	KT 303513	282
K 30X35X17 B	KT 303517	314
K 30X35X20 A	–	444
–	KT 303524	456
K 30X35X27 A	KT 303527	462
–	KT 303620	515
–	KT 303630	561
–	KT 303715	440
K 30X37X16 B	KT 303716	456
K 30X37X18 A	–	461
–	KT 303720	476
–	KT 303723	480
–	KT 303818	462
–	KT 303824	551
K 30X40X18	–	585
K 30X40X30 A	–	612
–	KT 304232	637
–	KTW 304237	710
K 32X37X13 B	KT 323713	304
K 32X37X17 A	KT 323717	394
–	KT 323723	418
K 32X37X27 B	–	423
K 32X38X20 A	KT 323820	436
K 32X39X16 A	KT 323916	474
–	KT 323920	507
K 32X40X25 A	–	593
–	KT 324519	834
–	KT 324525	872
–	KT 324532	1,021
K 35X40X13 A	KT 354013	314
K 35X40X17 A	KT 354017	327
K 35X40X25 A	–	444
K 35X40X26 ZW A	KT 354026	476
K 35X40X27 TN	–	484
–	KT 354113	476
K 35X42X16 A	KT 354216	507
K 35X42X18 B	KT 354218	523
K 35X42X20 A	KT 354220	539
K 35X42X30 B	KT 354230	561
K 35X45X20 A	–	753



## NEEDLE ROLLER BEARINGS

### PRICE LIST

NB 01-F 0110

01st Jan, 2010

### NEEDLE ROLLER & CAGE ASSEMBLIES

<u>INA</u>	<u>IKO</u>	<u>PRICE</u>
–	KT 354525	872
K 35X45X30	–	892
K 36X42X16	KT 364216	494
K 37X42X17 A	–	352
K 38X43X17 B	–	714
K 38X43X27 A	–	1,195
–	KT 384417	561
K 38X46X20 B	KT 384620	573
K 38X46X32 A	KT 384632	710
K 39X44X26 B	–	999
K 40X45X13 A	KT 404513	429
K 40X45X17 B	KT 404517	450
K 40X45X27 B	KT 404527	506
K 40X47X18 A	–	589
–	KT 404817	523
K 40X48X20 A	KT 404820	612
–	KT 404825	637
–	KT 404834	728
–	KT 405020	675
–	KTW 405238	1,091
–	KT 405432	1,594
–	KT 405450	1,833
K 42X47X13 A	–	493
K 42X47X17 B	KT 424717	511
K 42X47X30 A	–	698
–	KT 424815	629
–	KT 424816	637
K 42X50X13	–	645
K 42X50X20 C	KT 425020	653
K 43X48X17 B	–	423
K 43X48X27 C	–	561
K 45X49X19 A	–	1,102
K 45X50X17 B	KT 455017	439
K 45X50X27 B	KT 455027	589
K 45X52X18 A	–	653
K 45X53X20 B	KT 455320	675
K 45X53X22 A	–	712
K 45X53X28 A	–	748
–	KT 455330	760
–	KT 455335	824
–	KT 455527	872
K 47X52X17 B	–	480



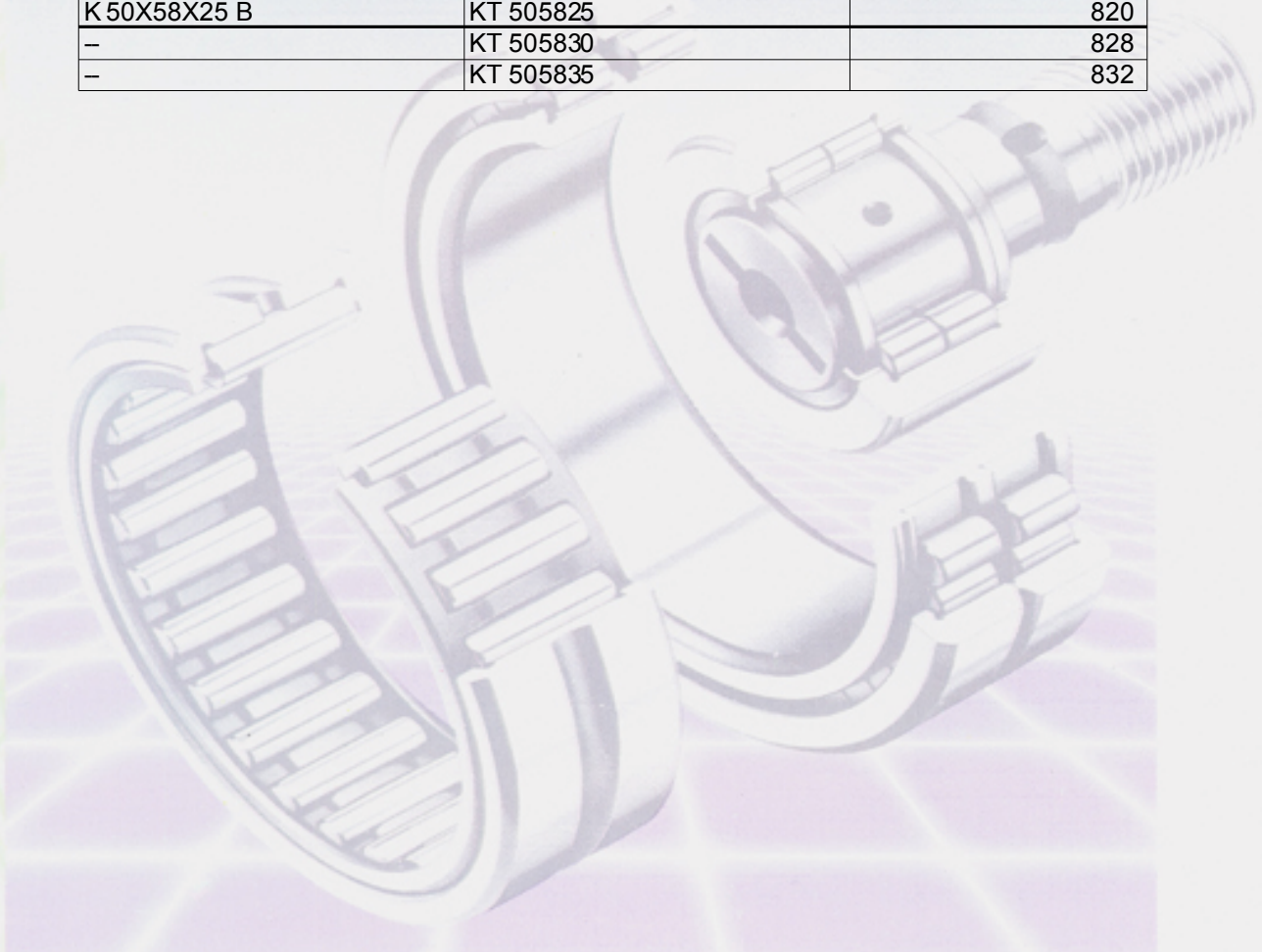
**FAG****NEEDLE ROLLER BEARINGS****PRICE LIST**

NB 01-G 0110

01st Jan, 2010

**NEEDLE ROLLER & CAGE ASSEMBLIES**

<u>INA</u>	<u>IKO</u>	<u>PRICE</u>
K 47X52X27	–	1,227
–	KT 485320	710
–	KT 485420	710
K 50X55X13,5 B	–	900
K 50X55X17 B	–	628
K 50X55X20 B	KT 505520	639
K 50X55X30 B	–	641
K 50X57X18 A	–	705
K 50X58X20 B	KT 505820	750
K 50X58X25 B	KT 505825	820
–	KT 505830	828
–	KT 505835	832





## NEEDLE ROLLER BEARINGS

### PRICE LIST

NB 02 0110

01st Jan, 2010

#### SHELL TYPE NEEDLE ROLLER BEARINGS

<u>IKO</u>	<u>PRICE</u>
------------	--------------

TA 810 Z	265
TA 815 Z	265
TA 820 Z	265
TA 912 Z	265
TA 916 Z	265
TA 1010 Z	265
TA 1012 Z	265
TA 1015 Z	265
TA 1020 Z	265
TA 1212 Z	244
TA 1215 Z	257
TA 1220 Z	265
TA 1225 Z	276
TA 1416 Z	257
TA 1420 Z	265
TA 1510 Z	257
TA 1512 Z	257
TA 1515 Z	265
TA 1520 Z	276
TA 1525 Z	302
TA 1616 Z	265
TA 1620 Z	276
TA 1715 Z	276
TA 1720 Z	302
TA 1725 Z	320
TA 1813 Z	265
TA 1815 Z	276
TA 1817 Z	302
TA 1819 Z	318
TA 1820 Z	320
TA 1825 Z	341
TA 1916 Z	341
TA 1920 Z	362
TA 2015 Z	320
TA 2020 Z	331
TA 2025 Z	341
TA 2030 Z	362
TA 202820 Z	341
TA 2116 Z	331
TA 2120 Z	354
TA 2210 Z	331
TA 2215 Z	341
TA 2220 Z	362

<u>IKO</u>	<u>PRICE</u>
------------	--------------

TA 2225 Z	386
TA 2230 Z	407
TA 223016 Z	391
TA 223020 Z	407
TA 2420 Z	386
TA 2428 Z	425
TA 243216 Z	425
TA 243220 Z	454
TA 2510 Z	341
TA 2515 Z	362
TA 2520 Z	386
TA 2525 Z	391
TA 2530 Z	407
TA 2616 Z	407
TA 2620 Z	425
TA 2820 Z	425
TA 2830 Z	433
TA 2920 Z	433
TA 2930 Z	467
TA 3013 Z	480
TA 3015 Z	433
TA 3020 Z	467
TA 3025 Z	501
TA 3030 Z	522
TA 3220 Z	517
TA 3230 Z	533
TA 3512 Z	454
TA 3515 Z	478
TA 3520 Z	517
TA 3525 Z	533
TA 3530 Z	575
TA 3720 Z	499
TA 3730 Z	596
TA 3815 Z	517
TA 3820 Z	533
TA 3825 Z	575
TA 3830 Z	596
TAW 3845 Z	801
TA 4015 Z	575
TA 4020 Z	596
TA 4025 Z	612
TA 4030 Z	654
TA 4040 Z	890

<u>IKO</u>	<u>PRICE</u>
------------	--------------

TA 4520 Z	606
TA 4525 Z	635
TA 4530 Z	664
TA 4540 Z	908
TA 5012 Z	664
TA 5015 Z	680
TA 5020 Z	714
TA 5025 Z	743
TA 5030 Z	769
TA 5040 Z	1,079
TAW 5045 Z	1,124



## NEEDLE ROLLER BEARINGS

### PRICE LIST

NB 03-A 0110

01st Jan, 2010

### SHELL TYPE NEEDLE ROLLER BEARINGS

<u>INA</u>	<u>IKO</u>	<u>PLAIN</u>	<u>RS / U</u>	<u>2RS / UU</u>
HK 0306 TN A	--	160	--	--
HK 0408 B	TLA 48 Z	160	--	--
HK 0509 B	TLA 59 Z	157	--	--
HK 0608 B	--	157	--	--
HK 0609 B	TLA 69 Z	157	--	--
HK 0709 B	TLA 79 Z	157	--	--
HK 0808 B	--	160	--	--
HK 0810 B	TLA 810 Z	160	221	--
HK 0812.2RS	--	--	--	250
HK 0908 B	--	160	--	--
HK 0910 B	TLA 910 Z	160	--	--
HK 0912 B	TLA 912 Z	163	--	--
HK 1010 B	TLA 1010 Z	163	--	--
HK 1012 B	TLA 1012 Z	173	224	250
HK 1014.2RS	--	--	--	250
HK 1015 B	TLA 1015 Z	183	--	--
HK 1210 B	TLA 1210 Z	173	--	--
HK 1212 B	TLA 1212 Z	183	--	--
HK 1214 RS	--	--	250	--
HK 1216.2RS	TLA 1216 UU	--	--	275
HK 1312 B	TLA 1312 Z	186	--	--
HK 1412 B	TLA 1412 Z	192	--	--
HK 1414 RS	--	--	263	--
HK 1416.2RS	TLA 1416 UU	--	--	292
HK 1512 B	TLA 1512 Z	195	--	--
HK 1514 RS	--	--	266	--
HK 1516 B	TLA 1516 Z	205	--	295
HK 1518 RS	--	--	346	--
HK 1520.2RS	--	--	--	384
HK 1522	TLA 1522 Z	253	--	--
HK 1612 B	TLA 1612 Z	199	--	--
HK 1614 RS	--	--	269	--
HK 1616 B	TLA 1616 Z	211	--	304
HK 1620.2RS	--	--	--	320
HK 1622	TLA 1622 Z	279	--	--
HK 1712 B	TLA 1712 Z	205	--	--
HK 1812 B	TLA 1812 Z	211	--	--
HK 1814 RS	--	--	288	--
HK 1816 B	TLA 1816 Z	227	--	320
HK 2010	--	215	--	--
HK 2012 B	TLA 2012 Z	215	--	--
HK 2016 B	TLA 2016 Z	237	--	333



## NEEDLE ROLLER BEARINGS

### PRICE LIST

NB 03-B 0110

01st Jan, 2010

#### SHELL TYPE NEEDLE ROLLER BEARINGS

<u>INA</u>	<u>IKO</u>	<u>PLAIN</u>	<u>RS / U</u>	<u>2RS / UU</u>
HK 2018 RS	--	--	291	--
HK 2020 B	TLA 2020 Z	263	--	356
HK 2030-AS1	TLA 2030 ZOH	--	--	--
HK 2210 B	--	343	--	--
HK 2212 B	TLA 2212 Z	227	--	--
HK 2214 RS	--	--	282	--
HK 2216 C	TLA 2216	250	--	346
HK 2218 RS	--	--	309	--
HK 2220 B	TLA 2220 Z	269	--	375
HK 2512 B	TLA 2512 Z	240	--	--
HK 2516 B	TLA 2516 Z	259	--	368
HK 2518 RS	--	--	320	--
HK 2520 B	TLA 2520 Z	279	--	391
HK 2524.2RS	--	--	--	516
HK 2526	TLA 2526 Z	320	--	--
HK 2530.2RS	--	--	--	464
HK 2538	TLAW 2538 Z	445	--	--
HK 2816 B	TLA 2816 Z	275	--	--
HK 2818 RS	--	--	338	--
HK 2820 B	TLA 2820 Z	292	--	410
HK 3012 B	TLA 3012 Z	263	--	--
HK 3016 B	TLA 3016 Z	292	--	397
HK 3018 RS	--	--	358	--
HK 3020 B	TLA 3020 Z	311	--	432
HK 3024.2RS	--	--	--	455
HK 3026	TLA 3026 Z	359	--	--
HK 3038	TLAW 3038 Z	506	--	--
HK 3512 B	TLA 3512 Z	317	--	--
HK 3516 B	TLA 3516 Z	346	--	468
HK 3518 RS	--	--	419	--
HK 3520 B	TLA 3520 Z	368	--	503
HK 4012 B	TLA 4012 Z	388	--	--
HK 4016 B	TLA 4016 Z	413	--	551
HK 4018 RS A	--	--	492	--
HK 4020 B	TLA 4020 Z	442	--	580
HK 4512 B	--	554	--	--
HK 4516A	TLA 4516 Z	464	--	--
HK 4518 RS A	--	--	600	--
HK 4520 B	TLA 4520 Z	506	--	644
HK 5020	TLA 5020 Z	577	--	--
HK 5022 RS A	--	--	676	--
HK 5024.2RS A	--	--	--	782
HK 5025	TLA 5025 Z	631	--	--



## NEEDLE ROLLER BEARINGS

### PRICE LIST

NB 04 0110

01st Jan, 2010

#### SHELL TYPE NEEDLE ROLLER BEARINGS

<u>INA</u>	<u>IKO</u>	<u>PLAIN</u>
BK 0306 TN A	--	176
BK 0408 B	TLAM 48N	176
BK 0509 B	TLAM 59	173
BK 0609 B	TLAM 69	173
BK 0709 B	TLAM 79	173
BK 0808 B	--	176
BK 0810 B	TLAM 810	176
BK 0910 B	TLAM 910	176
BK 0912 B	TLAM 912	179
BK 1010 B	TLAM 1010	179
BK 1012 B	TLAM 1012	237
BK 1015 B	TLAM 1015	301
BK 1210 B	TLAM 1210	189
BK 1212 A	TLAM 1212	202
BK 1412 A	TLAM 1412	215
BK 1414 RS	--	--
BK 1512	TLAM 1512	266
BK 1514 RS	--	--
BK 1516 A	TLAM 1516	224
BK 1612 A	TLAM 1612	272
BK 1614 RS	--	--
BK 1616 A	TLAM 1616	284
BK 1622 A	TLAM 1622	376
BK 1812 A	TLAM 1812	--
BK 1816 A	TLAM 1816	378
BK 2016	TLAM 2016	384
BK 2018 RS	--	--
BK 2020 A	TLAM 2020	432
BK 2216 A	TLAM 2216	424
BK 2516 A	TLAM 2516	891
BK 2518 RS	--	--
BK 2520	TLAM 2520	484
BK 2526 A	TLAM 2526	486
BK 2538 A	TLAMW 2538	487
BK 3012	TLAM 3012	490
BK 3016	TLAM 3016	504
BK 3020	TLAM 3020	512
BK 3026	TLAM 3026	528
BK 3038	TLAMW 3038	554
BK 3520 A	TLAM 3520	605
BK 4020 A	TLAM 4020	632
BK 4520 A	TLAM 4520	1,393



## NEEDLE ROLLER BEARINGS

### PRICE LIST

NB 05-A 0110

01st Jan, 2010

#### SHELL TYPE NEEDLE ROLLER BEARINGS [INCH SERIES]

INA	IKO	PRICE
SCE 34	BA 34 ZOH	253
SCE 36	BA 36 ZOH	253
SCE 44	BA 44 ZOH	254
SCE 45	BA 45 ZOH	192
SCE 47	BA 47 ZOH	192
SCE 55	BA 55 ZOH	192
-	BA 56 ZOH	192
SCE 57	BA 57 ZOH	192
SCE 59	BA 59 ZOH	207
SCE 65	BA 65 ZOH	207
SCE 66	BA 66 ZOH	192
SCE 68	BA 68 ZOH	192
SCE 69	BA 69 ZOH	192
SCE 610	BA 610 ZOH	192
-	BA 76 ZOH	192
-	BA 77 ZOH	192
SCE 78	BA 78 ZOH	192
SCE 85	BA 85 ZOH	201
SCE 86	BA 86 ZOH	201
SCE 87	BA 87 ZOH	201
SCE 88	BA 88 ZOH	201
SCE 810	BA 810 ZOH	201
SCE 812	BA 812 ZOH	207
SCE 95	BA 95 ZOH	207
SCE 96	BA 96 ZOH	236
SCE 97	BA 97 ZOH	236
SCE 98	BA 98 ZOH	207
SCE 910	BA 910 ZOH	207
SCE 912	BA 912 ZOH	254
SCE 105	BA 105 ZOH	207
SCE 107	BA 107 ZOH	207
SCE 108	BA 108 ZOH	207
SCE 1010	BA 1010 ZOH	226
SCE 1012	BA 1012 ZOH	236
-	BA 1014 ZOH	236
-	BA 1016 ZOH	236
SCE 116	BA 116 ZOH	236
SCE 118	BA 118 ZOH	221
SCE 1110	BA 1110 ZOH	226
SCE 1112	BA 1112 ZOH	236
SCE 126	BA 126 ZOH	254
SCE 128	BA 128 ZOH	221

INA	IKO	PRICE
BCE 34	BAM 34 Z	--
BCE 36	BAM 36 Z	--
BCE 44	BAM 44 Z	319
BCE 45	BAM 45 Z	--
BCE 47	BAM 47 Z	319
BCE 55	BAM 55 Z	319
--	BAM 56 Z	--
BCE 57	BAM 57 Z	--
BCE 59	BAM 59 Z	--
BCE 65	BAM 65 Z	--
BCE 66	BAM 66 Z	307
BCE 68	BAM 68 Z	307
BCE 69	BAM 69 Z	--
BCE 610	BAM 610 Z	--
--	BAM 76 Z	--
--	BAM 77 Z	--
BCE 78	BAM 78 Z	307
BCE 85	BAM 85 Z	--
BCE 86	BAM 86 Z	307
BCE 87	BAM 87 Z	--
BCE 88	BAM 88 Z	307
BCE 810	BAM 810 Z	319
BCE 812	BAM 812 Z	--
BCE 95	BAM 95 Z	307
BCE 96	BAM 96 Z	307
BCE 97	BAM 97 Z	--
BCE 98	BAM 98 Z	307
BCE 910	BAM 910 Z	319
BCE 912	BAM 912 Z	--
BCE 105	BAM 105 Z	307
BCE 107	BAM 107 Z	307
BCE 108	BAM 108 Z	--
BCE 1010	BAM 1010 Z	--
BCE 1012	BAM 1012 Z	331
--	BAM 1014 Z	374
--	BAM 1016 Z	383
BCE 116	BAM 116 Z	319
BCE 118	BAM 118 Z	--
BCE 1110	BAM 1110 Z	--
BCE 1112	BAM 1112 Z	338
BCE 126	BAM 126 Z	319
BCE 128	BAM 128 Z	319



## NEEDLE ROLLER BEARINGS

### PRICE LIST

NB 05-B 0110

01st Jan, 2010

#### SHELL TYPE NEEDLE ROLLER BEARINGS [INCH SERIES]

INA	IKO	PRICE
SCE 1210	BA 1210 ZOH	236
SCE 1212	BA 1212 ZOH	254
--	BA 1214 ZOH	280
--	BA 1216 ZOH	254
SCE 136	BA 136 ZOH	--
SCE 138	BA 138 ZOH	236
--	BA 1310 ZOH	305
SCE 1312	BA 1312 ZOH	314
SCE 1314	BA 1314 ZOH	323
--	BA 1316 ZOH	323
--	BA 1320 ZOH	--
SCE 146	BA 146 ZOH	236
SCE 148	BA 148 ZOH	236
SCE 1412	BA 1412 ZOH	280
--	BA 1414 ZOH	--
SCE 1416	BA 1416 ZOH	297
--	BA 1422 ZOH	297
--	BA 1510 ZOH	344
SCE 1516	BA 1516 ZOH	286
--	BA 166 ZOH	286
SCE 167	BA 167 ZOH	--
SCE 168	BA 168 ZOH	268
SCE 1612	BA 1612 ZOH	286
--	BA 1614 ZOH	306
SCE 1616	BA 1616 ZOH	306
--	BA 1620 ZOH	519
--	BA 1710 ZOH	--
--	BA 1716 ZOH	338
SCE 186	BA 186 ZOH	326
SCE 188	BA 188 ZOH	286
SCE 1812	BA 1812 ZOH	306
SCE 1816	BA 1816 ZOH	338
--	BA 1820 ZOH	--
--	BA 1910 ZOH	--
SCE 1916	BA 1916 ZOH	344
SCE 208	BA 208 ZOH	338
SCE 2010	BA 2010 ZOH	338
SCE 2012	BA 2012 ZOH	321
SCE 2016	BA 2016 ZOH	356
SCE 2020	BA 2020 ZOH	434
--	BA 218 ZOH	338
SCE 2110	BA 2110 ZOH	356

INA	IKO	PRICE
BCE 1210	BAM 1210 Z	--
BCE 1212	BAM 1212 Z	383
--	BAM 1214 Z	410
--	BAM 1216 Z	438
BCE 136	BAM 136 Z	374
BCE 138	BAM 138 Z	374
--	BAM 1310 Z	383
BCE 1312	BAM 1312 Z	410
BCE 1314	BAM 1314 Z	438
--	BAM 1316 Z	--
--	BAM 1320 Z	712
BCE 146	BAM 146 Z	356
BCE 148	BAM 148 Z	371
BCE 1412	BAM 1412 Z	--
--	BAM 1414 Z	410
BCE 1416	BAM 1416 Z	--
--	BAM 1422 Z	620
--	BAM 1510 Z	371
BCE 1516	BAM 1516 Z	395
--	BAM 166 Z	395
BCE 167	BAM 167 Z	395
BCE 168	BAM 168 Z	--
BCE 1612	BAM 1612 Z	378
--	BAM 1614 Z	426
BCE 1616	BAM 1616 Z	435
--	BAM 1620 Z	693
--	BAM 1710 Z	426
--	BAM 1716 Z	--
BCE 186	BAM 186 Z	--
BCE 188	BAM 188 Z	--
BCE 1812	BAM 1812 Z	435
BCE 1816	BAM 1816 Z	487
--	BAM 1820 Z	--
--	BAM 1910 Z	426
BCE 1916	BAM 1916 Z	459
BCE 208	BAM 208 Z	459
BCE 2010	BAM 2010 Z	--
BCE 2012	BAM 2012 Z	--
BCE 2016	BAM 2016 Z	526
BCE 2020	BAM 2020 Z	--
--	BAM 218 Z	410
BCE 2110	BAM 2110 Z	435



## NEEDLE ROLLER BEARINGS

### PRICE LIST

NB 05-C 0110

01st Jan, 2010

#### SHELL TYPE NEEDLE ROLLER BEARINGS [INCH SERIES]

<u>INA</u>	<u>IKO</u>	<u>PRICE</u>
–	BA 2112 ZOH	356
SCE 228	BA 228 ZOH	326
SCE 2212	BA 2212 ZOH	356
SCE 2216	BA 2216 ZOH	408
SCE 2220	BA 2220 ZOH	414
SCE 248	BA 248 ZOH	393
SCE 2410	BA 2410 ZOH	424
SCE 2412	BA 2412 ZOH	434
SCE 2414	BA 2414 ZOH	440
SCE 2416	BA 2416 ZOH	440
SCE 2420	BA 2420 ZOH	478
–	BA 268 ZOH	–
SCE 2610	BA 2610 ZOH	475
SCE 2620	BA 2620 ZOH	589
SCE 2812	BA 2812 ZOH	490
SCE 2816	BA 2816 ZOH	498
SCE 2824	BA 2824 ZOH	664
–	BA 308 ZOH	504
–	BA 3010 ZOH	554
–	BA 3016 ZOH	711
SCE 328	BA 328 ZOH	659
SCE 3216	BA 3216 ZOH	731
SCE 3220	BA 3220 ZOH	760
–	BA 3224 ZOH	794
–	BAW 3228 ZOH	–
SCE 3416	BA 3416 ZOH	863
–	BA 3424 ZOH	886
–	BA 4216 ZOH	1,311
–	BA 4416 ZOH	1,329
–	BA 4420 ZOH	1,478

<u>INA</u>	<u>IKO</u>	<u>PRICE</u>
--	BAM 2112 Z	450
BCE 228	BAM 228 Z	465
BCE 2212	BAM 2212 Z	483
BCE 2216	BAM 2216 Z	--
BCE 2220	BAM 2220 Z	605
BCE 248	BAM 248 Z	477
BCE 2410	BAM 2410 Z	--
BCE 2412	BAM 2412 Z	477
BCE 2414	BAM 2414 Z	--
BCE 2416	BAM 2416 Z	--
BCE 2420	BAM 2420 Z	--
--	BAM 268 Z	590
BCE 2610	BAM 2610 Z	--
BCE 2620	BAM 2620 Z	766
BCE 2812	BAM 2812 Z	718
BCE 2816	BAM 2816 Z	785
BCE 2824	BAM 2824 Z	--
--	BAM 308 Z	602
--	BAM 3010 Z	617
--	BAM 3016 Z	781
BCE 328	BAM 328 Z	--
BCE 3216	BAM 3216 Z	817
BCE 3220	BAM 3220 Z	865
--	BAM 3224 Z	911
--	BAMW 3228 Z	1,225
BCE 3416	BAM 3416 Z	989
--	BAM 3424 Z	1,365
--	BAM 4216 Z	1,445
--	BAM 4416 Z	1,495
--	BAM 4420 Z	1,655





## NEEDLE ROLLER BEARINGS

### PRICE LIST

NB 06-A 0110

01st Jan, 2010

#### SHELL TYPE NEEDLE ROLLER BEARINGS [INCH SERIES]

<u>INA</u>	<u>IKO</u>	<u>PRICE</u>
SCH 57	BHA 57 ZOH	195
SCH 68	BHA 68 ZOH	195
SCH 78	BHA 78 ZOH	181
SCH 87	BHA 87 ZOH	201
SCH 88	BHA 88 ZOH	207
SCH 810	BHA 810 ZOH	213
SCH 812	BHA 812 ZOH	221
SCH 98	BHA 98 ZOH	221
-	BHA 910 ZOH	226
SCH 912	BHA 912 ZOH	234
SCH 108	BHA 108 ZOH	226
SCH 1010	BHA 1010 ZOH	230
SCH 1012	BHA 1012 ZOH	236
SCH 1016	BHA 1016 ZOH	265
SCH 117	BHA 117 ZOH	290
-	BHA 118 ZOH	268
SCH 1110	BHA 1110 ZOH	275
SCH 1112	BHA 1112 ZOH	280
SCH 1210	BHA 1210 ZOH	300
SCH 1212	BHA 1212 ZOH	309
-	BHA 138 ZOH	260
-	BHA 1310 ZOH	265
SCH 1312	BHA 1312 ZOH	271
SCH 1410	BHA 1410 ZOH	271
SCH 1412	BHA 1412 ZOH	271
SCH 1416	BHA 1416 ZOH	297
SCH 168	BHA 168 ZOH	297
SCH 1610	BHA 1610 ZOH	299
SCH 1612	BHA 1612 ZOH	271
-	BHA 1614 ZOH	282
SCH 1616	BHA 1616 ZOH	297
SCH 1620	BHA 1620 ZOH	358
SCH 1624	BHA 1624 ZOH	420
SCH 1812	BHA 1812 ZOH	356
SCH 1816	BHA 1816 ZOH	405
SCH 1818	BHA 1818 ZOH	493
SCH 1820	BHA 1820 ZOH	530
SCH 208	BHA 208 ZOH	393
SCH 2012	BHA 2012 ZOH	405
SCH 2016	BHA 2016 ZOH	408
SCH 2020	BHA 2020 ZOH	420
SCH 228	BHA 228 ZOH	380

<u>INA</u>	<u>IKO</u>	<u>PRICE</u>
BCH 57	BHAM 57 Z	273
BCH 68	BHAM 68 Z	273
BCH 78	BHAM 78 Z	253
BCH 87	BHAM 87 Z	--
BCH 88	BHAM 88 Z	290
BCH 810	BHAM 810 Z	--
BCH 812	BHAM 812 Z	310
BCH 98	BHAM 98 Z	310
-	BHAM 910 Z	--
BCH 912	BHAM 912 Z	--
BCH 108	BHAM 108 Z	--
BCH 1010	BHAM 1010 Z	322
BCH 1012	BHAM 1012 Z	330
BCH 1016	BHAM 1016 Z	371
BCH 117	BHAM 117 Z	--
-	BHAM 118 Z	--
BCH 1110	BHAM 1110 Z	--
BCH 1112	BHAM 1112 Z	392
-	--	--
BCH 1212	BHAM 1212 Z	432
-	BHAM 138 Z	--
-	BHAM 1310 Z	371
BCH 1312	BHAM 1312 Z	379
BCH 1410	BHAM 1410 Z	379
BCH 1412	BHAM 1412 Z	379
BCH 1416	BHAM 1416 Z	416
BCH 168	BHAM 168 Z	416
BCH 1610	BHAM 1610 Z	--
BCH 1612	BHAM 1612 Z	379
-	BHAM 1614 Z	--
BCH 1616	BHAM 1616 Z	416
BCH 1620	BHAM 1620 Z	502
BCH 1624	BHAM 1624 Z	587
BCH 1812	BHAM 1812 Z	498
BCH 1816	BHAM 1816 Z	567
BCH 1818	BHAM 1818 Z	--
BCH 1820	BHAM 1820 Z	--
BCH 208	BHAM 208 Z	--
BCH 2012	BHAM 2012 Z	567
BCH 2016	BHAM 2016 Z	571
BCH 2020	BHAM 2020 Z	587
BCH 228	BHAM 228 Z	--



## NEEDLE ROLLER BEARINGS

### PRICE LIST

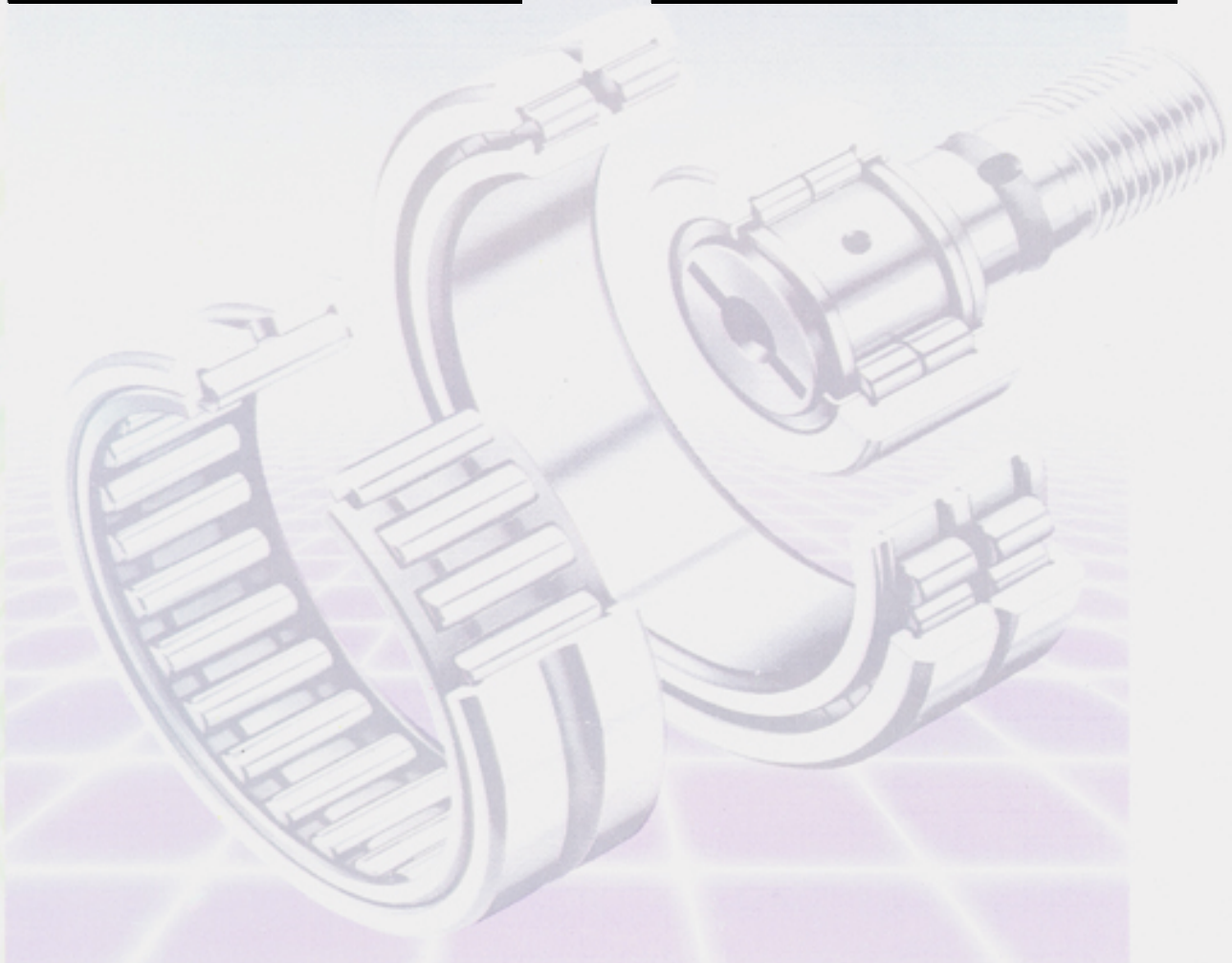
NB 06-B 0110

01st Jan, 2010

#### SHELL TYPE NEEDLE ROLLER BEARINGS [INCH SERIES]

<u>INA</u>	<u>IKO</u>	<u>PRICE</u>
--	BHA 2210 ZOH	395
SCH 2212	BHA 2212 ZOH	408
SCH 2216	BHA 2216 ZOH	408
--	BHA 2220 ZOH	609
--	BHA 2824 ZOH	947
--	BHA 3312 ZOH	760
--	BHA 3316 ZOH	806
--	BHA 3324 ZOH	830

<u>INA</u>	<u>IKO</u>	<u>PRICE</u>
--	BHAM 2210 Z	--
BCH 2212	BHAM 2212 Z	571
BCH 2216	BHAM 2216 Z	571
--	BHAM 2220 Z	853
--	BHAM 2824 Z	1,326
--	BHAM 3312 Z	--
--	BHAM 3316 Z	--
--	BHAM 3324 Z	1,163





**FAG**

## NEEDLE ROLLER BEARINGS

### PRICE LIST

NB 07 0110

01st Jan, 2010

#### MACHINED TYPE

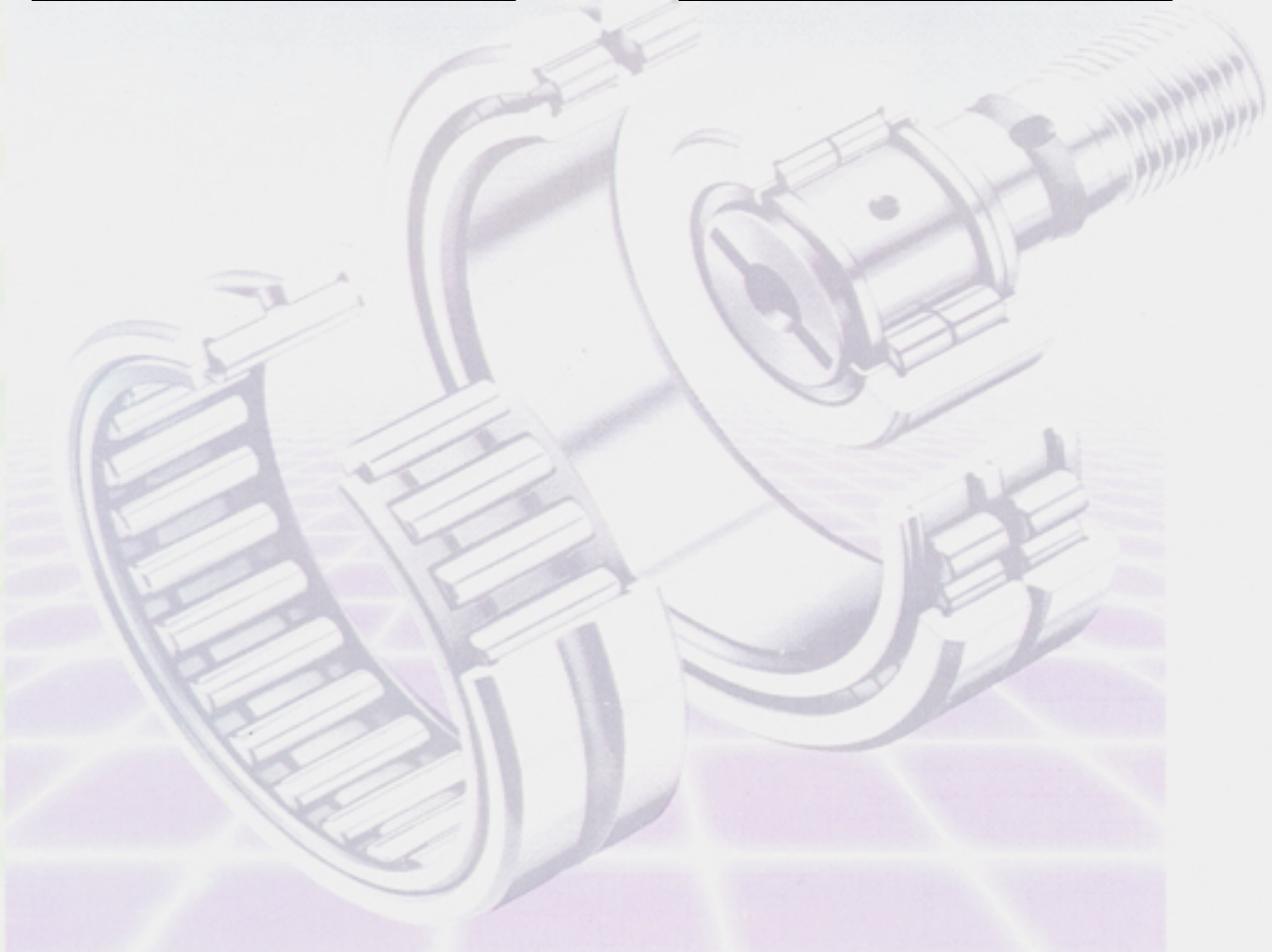
#### NEEDLE ROLLER BEARINGS

##### WITHOUT INNER RING

<u>INA / IKO</u>	<u>PRICE</u>
RNA 4822	8,354
RNA 4824	9,892
RNA 4826	11,900
RNA 4828	13,490
RNA 4830	17,945
RNA 4832	21,996

##### WITH INNER RING

<u>INA / IKO</u>	<u>PRICE</u>
NA 4822	11,526
NA 4824	13,307
NA 4826	15,924
NA 4828	17,993
NA 4830	23,682
NA 4832	26,844



**FAG****NEEDLE ROLLER BEARINGS****PRICE LIST**

NB 08 0110

01st Jan, 2010

**MACHINED TYPE NEEDLE ROLLER  
BEARINGS [WITHOUT INNER RING]**

<u>INA / IKO</u>	<u>PLAIN</u>
RNA 4900	670
RNA 4901	709
RNA 49/14	667
RNA 4902	746
RNA 4903	813
RNA 4904	875
RNA 49/22	969
RNA 4905	988
RNA 49/28	1,092
RNA 4906	1,147
RNA 49/32	1,248
RNA 4907	1,318
RNA 49/38	1,186
RNA 4908	1,459
RNA 49/42	1,376
RNA 4909	1,636
RNA 49/48	1,599
RNA 4910	1,780
RNA 49/52	1,731
RNA 4911	2,150
RNA 4912	2,672
RNA 49/62	2,658
RNA 4913	3,376
RNA 49/68	3,373
RNA 4914	4,006
RNA 4915	4,363
RNA 4916	4,828
RNA 49/82	4,764
RNA 4917	6,036
RNA 4918	6,831



**FAG**

## NEEDLE ROLLER BEARINGS

### PRICE LIST

NB 09 0110

01st Jan, 2010

#### MACHINED TYPE NEEDLE ROLLER BEARINGS [WITH INNER RING]

<u>INA / IKO</u>	<u>PLAIN</u>	<u>2RS / UU</u>
NA 4900	902	1,342
NA 4901	936	1,397
NA 4902	1,000	1,477
NA 4903	1,092	1,592
NA 4904	1,189	1,691
NA 49/22	1,293	1,622
NA 4905	1,327	1,868
NA 49/28	1,443	1,788
NA 4906	1,520	2,121
NA 49/32	1,636	1,951
NA 4907	1,725	2,358
NA 4908	1,975	2,656
NA 4909	2,226	2,931
NA 4910	2,480	3,219
NA 4911	2,880	--
NA 4912	3,593	--
NA 4913	4,446	--
NA 4914	5,461	--
NA 4915	6,008	--
NA 4916	6,776	--
NA 4917	8,231	--
NA 4918	9,191	--

**FAG****NEEDLE ROLLER BEARINGS****PRICE LIST**

NB 10 0110

01st Jan, 2010

**MACHINED TYPE  
NEEDLE ROLLER BEARINGS****WITHOUT INNER RING**

<u>INA / IKO</u>	<u>PLAIN</u>
RNA 6901	1,046
RNA 6902	1,124
RNA 6903	1,175
RNA 6904	1,918
RNA 69/22	2,009
RNA 6905	2,115
RNA 69/28	2,477
RNA 6906	2,673
RNA 69/32	2,807
RNA 6907	3,000
RNA 6908	3,420
RNA 6909	3,986
RNA 6910	4,690
RNA 6911	5,504
RNA 6912	6,526
RNA 6913	7,584
RNA 6914	8,783
RNA 6915	9,876

**WITH INNER RING**

<u>INA / IKO</u>	<u>PLAIN</u>
NA 6901	1,179
NA 6902	1,291
NA 6903	1,390
NA 6904	2,105
NA 69/22	2,207
NA 6905	2,306
NA 69/28	2,662
NA 6906	2,800
NA 69/32	3,018
NA 6907	3,335
NA 6908	3,822
NA 6909	4,369
NA 6910	5,058
NA 6911	5,891
NA 6912	6,897
NA 6913	7,960
NA 6914	9,629
NA 6915	10,837



## NEEDLE ROLLER BEARINGS

### PRICE LIST

NB 11-A 0110

01st Jan, 2010

#### MACHINED TYPE

#### NEEDLE ROLLER BEARINGS

##### WITHOUT INNER RING

<u>INA</u>	<u>IKO</u>	<u>PRICE</u>
NK 5/10 TN	TAF 51010	482
NK 5/12 TN	TAF 51012	482
NK 6/10 TN	--	496
NK 6/12 TN	TAF 61212	496
NK 7/10 TN	TAF 71410	496
NK 7/12 TN	TAF 71412	496
NK 8/12 TN	TAF 81512	496
NK 8/16 TN	TAF 81516	531
NK 9/12 TN	TAF 91612	517
NK 9/16 TN	TAF 91616	531
NK 10/12 TN	TAF 101712	517
NK 10/16 TN	TAF 101716	545
NK 12/12	TAF 121912	538
NK 12/16	TAF 121916	552
NK 14/16	TAF 142216	566
NK 14/20	TAF 142220	667
NK 15/16	TAF 152316	584
NK 15/20	TAF 152320	681
NK 16/16	TAF 162416	619
NK 16/20	TAF 162420	720
NK 17/16	TAF 172516	633
NK 17/20	TAF 172520	730
NK 18/16	TAF 182616	653
NK 18/20	TAF 182620	730
NK 19/16	TAF 192716	667
NK 19/20	TAF 192720	744
NK 20/16	TAF 202816	681
NK 20/20	TAF 202820	779
NK 21/16	TAF 212916	730
NK 21/20	TAF 212920	821
NK 22/16	TAF 223016	786
NK 22/20	TAF 223020	853
NK 24/16	TAF 243216	811
NK 24/20	TAF 243220	902
NK 25/16	TAF 253316	811
NK 25/20	TAF 253320	919
NK 26/16	TAF 263416	849
NK 26/20	TAF 263420	919

##### WITH INNER RING

<u>INA</u>	<u>IKO</u>	<u>PRICE</u>
--	--	--
--	--	--
--	--	--
--	--	--
--	--	--
--	--	--
NKI 5/12 TN	TAFI 51512	678
NKI 5/16 TN	TAFI 51516	891
NKI 6/12 TN	TAFI 61612	692
NKI 6/16 TN	TAFI 61616	730
NKI 7/12 TN	TAFI 71712	688
NKI 7/16 TN	TAFI 71716	926
NKI 9/12	TAFI 91912	720
NKI 9/16	TAFI 91916	751
NKI 10/16	TAFI 102216	821
NKI 10/20	TAFI 102220	937
--	--	--
--	--	--
NKI 12/16	TAFI 122416	877
NKI 12/20	TAFI 122420	996
--	--	--
--	--	--
--	--	--
--	--	--
NKI 15/16	TAFI 152716	919
NKI 15/20	TAFI 152720	1,017
--	--	--
--	--	--
NKI 17/16	TAFI 172916	1,017
NKI 17/20	TAFI 172920	1,104
--	--	--
--	--	--
NKI 20/16	TAFI 203216	1,087
NKI 20/20	TAFI 203220	1,237
--	--	--
--	--	--
NKI 22/16	TAFI 223416	1,178
NKI 22/20	TAFI 223420	1,296



## NEEDLE ROLLER BEARINGS

### PRICE LIST

NB 11-B 0110

01st Jan, 2010

#### MACHINED TYPE

#### NEEDLE ROLLER BEARINGS

##### WITHOUT INNER RING

<u>INA</u>	<u>IKO</u>	<u>PRICE</u>
NK 28/20	TAF 283720	881
NK 28/30	TAF 283730	1,038
NK 29/20	TAF 293820	924
NK 29/30	TAF 293830	1,082
NK 30/20	TAF 304020	924
NK 30/30	TAF 304030	1,105
NK 32/20	TAF 324220	951
NK 32/30	TAF 324230	1,139
NK 35/20	TAF 354520	1,001
NK 35/30	TAF 354530	1,179
NK 37/20	TAF 374720	1,062
NK 37/30	TAF 374730	1,283
NK 38/20	TAF 384820	1,072
NK 38/30	TAF 384830	1,648
NK 40/20	TAF 405020	1,108
NK 40/30	TAF 405030	1,370
NK 42/20	TAF 425220	1,189
NK 42/30	TAF 425230	1,463
NK 43/20	TAF 435320	1,236
NK 43/30	TAF 435330	1,527
NK 45/20	TAF 455520	1,316
NK 45/30	TAF 455530	1,591
NK 47/20	TAF 475720	1,403
NK 47/30	TAF 475730	1,685
NK 50/25	TAF 506225	1,507
NK 50/35	TAF 506235	1,815
NK 55/25	TAF 556825	1,852
NK 55/35	TAF 556835	2,210
NK 60/25	TAF 607225	2,117
NK 60/35	TAF 607235	2,518
NK 65/25	TAF 657825	2,338
NK 65/35	TAF 657835	2,904
NK 68/25	TAF 688225	2,555
NK 68/35	TAF 688235	3,094
NK 70/25	TAF 708525	2,739
NK 70/35	TAF 708535	3,366
NK 73/25	TAF 739025	3,155
NK 73/35	TAF 739035	3,878

##### WITH INNER RING

<u>INA</u>	<u>IKO</u>	<u>PRICE</u>
--	--	--
--	--	--
NKI 25/20	TAFI 253820	1,335
NKI 25/30	TAFI 253830	1,527
--	--	--
--	--	--
NKI 28/20	TAFI 284220	1,377
NKI 28/30	TAFI 284230	1,667
NKI 30/20	TAFI 304520	1,468
NKI 30/30	TAFI 304530	1,824
NKI 32/20	TAFI 324720	1,573
NKI 32/30	TAFI 324730	1,964
--	--	--
--	--	--
NKI 35/20	TAFI 355020	1,660
NKI 35/30	TAFI 355030	2,125
--	--	--
--	--	--
NKI 38/20	TAFI 385320	1,800
NKI 38/30	TAFI 385330	2,257
NKI 40/20	TAFI 405520	1,932
NKI 40/30	TAFI 405530	2,397
NKI 42/20	TAFI 425720	2,062
NKI 42/30	TAFI 425730	2,541
NKI 45/25	TAFI 456225	2,219
NKI 45/35	TAFI 456235	2,747
NKI 50/25	TAFI 506825	2,677
NKI 50/35	TAFI 506835	3,323
NKI 55/25	TAFI 557225	3,072
NKI 55/35	TAFI 557235	3,732
--	--	--
--	--	--
NKI 60/25	TAFI 608225	3,701
NKI 60/35	TAFI 608235	4,452
--	--	--
--	--	--
NKI 65/25	--	4,358
NKI 65/35	TAFI 659035	5,392





## NEEDLE ROLLER BEARINGS

### PRICE LIST

NB 11-C 0110

01st Jan, 2010

#### MACHINED TYPE

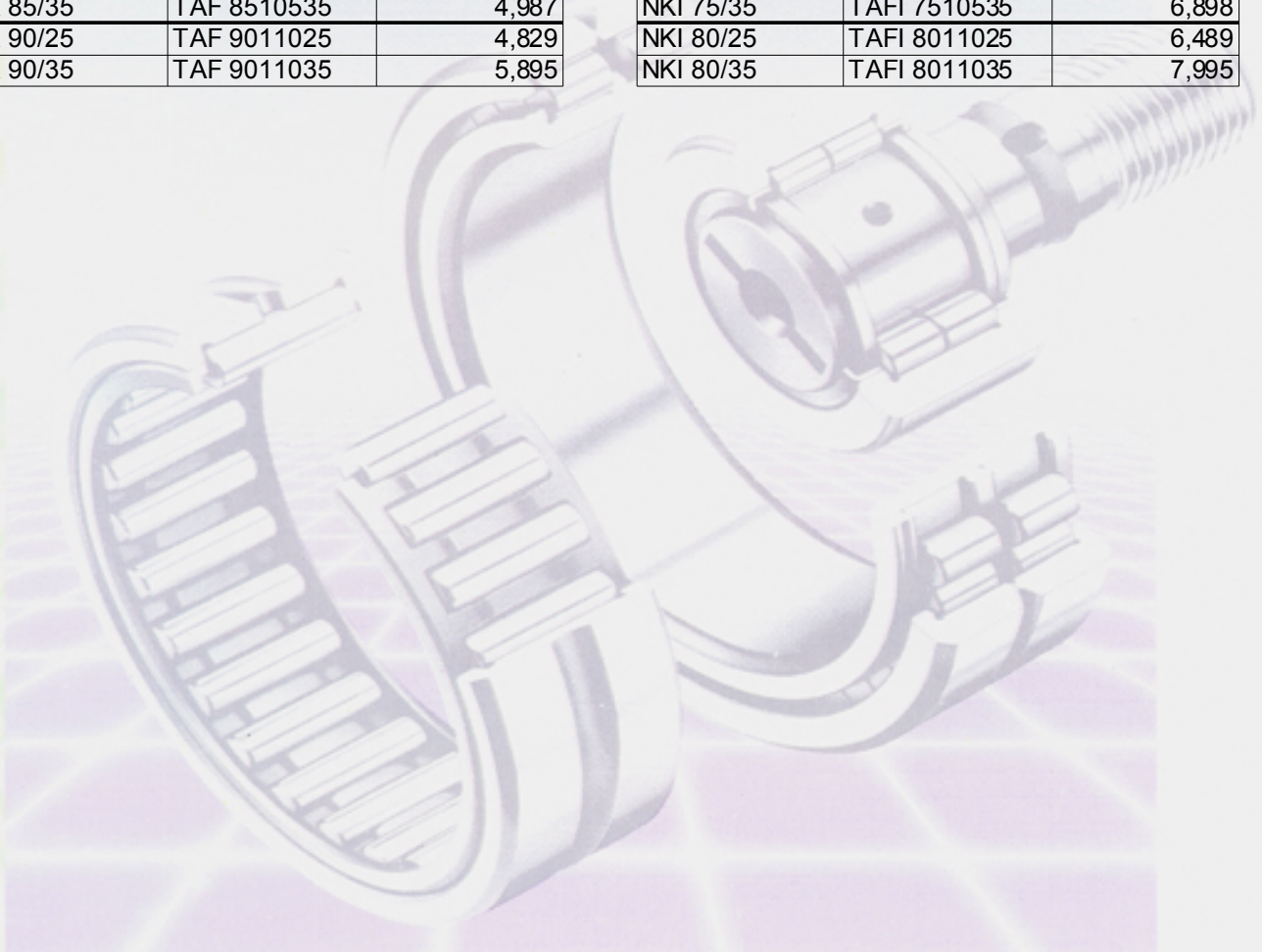
#### NEEDLE ROLLER BEARINGS

##### WITHOUT INNER RING

<u>INA</u>	<u>IKO</u>	<u>PRICE</u>
NK 75/25	TAF 759225	3,484
NK 75/35	TAF 759235	5,266
NK 80/25	TAF 809525	3,669
NK 80/35	TAF 809535	4,578
NK 85/25	TAF 8510525	4,232
NK 85/35	TAF 8510535	4,987
NK 90/25	TAF 9011025	4,829
NK 90/35	TAF 9011035	5,895

##### WITH INNER RING

<u>INA</u>	<u>IKO</u>	<u>PRICE</u>
--	--	--
--	--	--
NKI 70/25	TAFI 709525	5,081
NKI 70/35	TAFI 709535	6,147
NKI 75/25	TAFI 7510525	5,832
NKI 75/35	TAFI 7510535	6,898
NKI 80/25	TAFI 8011025	6,489
NKI 80/35	TAFI 8011035	7,995





## NEEDLE ROLLER BEARINGS

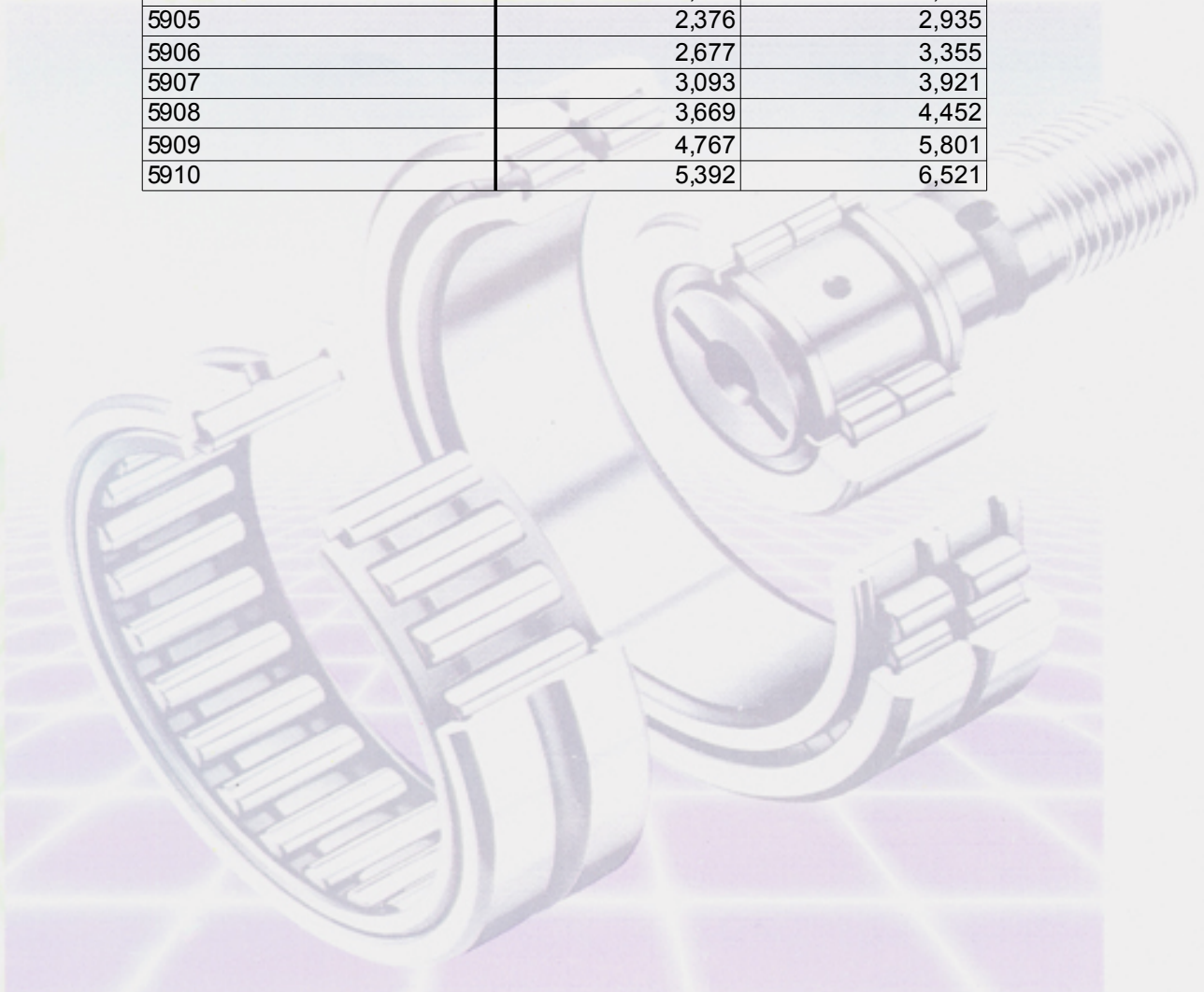
### PRICE LIST

NB 12 0110

01st Jan, 2010

### COMBINED NEEDLE ROLLER BEARINGS WITH INNER RING

	<u>NKIA / NATA</u>	<u>NKIB / NATB</u>
5901	1,545	1,925
5902	1,649	2,058
5903	1,786	2,219
5904	1,988	2,478
59/22	4,358	2,715
5905	2,376	2,935
5906	2,677	3,355
5907	3,093	3,921
5908	3,669	4,452
5909	4,767	5,801
5910	5,392	6,521





## NEEDLE ROLLER BEARINGS

### PRICE LIST

NB 13 0110

01st Jan, 2010

#### MACHINED TYPE NEEDLE ROLLER BEARINGS

##### WITHOUT INNER RING

<u>INA</u>	<u>PRICE</u>
NKS 8	676
NKS 10	722
NKS 12	728
NKS 14	732
NKS 15	778
NKS 16	828
NKS 18	846
NKS 20	1,096
NKS 22	2,989
NKS 24	1,381
NKS 25	1,137
NKS 28	1,233
NKS 30	1,355
NKS 32	1,419
NKS 35	1,592
NKS 37	1,691
NKS 40	1,845
NKS 43	1,973
NKS 45	2,034
NKS 50	2,185
NKS 55	2,345
NKS 60	2,598

##### WITH INNER RING

<u>INA</u>	<u>PRICE</u>
--	--
NKIS 6	--
NKIS 7	--
NKIS 8	--
NKIS 9	--
NKIS 10	--
NKIS 12	--
--	--
NKIS 15	3,674
NKIS 17	1,723
--	--
NKIS 20	1,554
--	--
NKIS 25	1,954
--	--
NKIS 30	2,361
--	--
NKIS 35	2,668
--	--
NKIS 40	2,931
NKIS 45	3,133
NKIS 50	3,508



## NEEDLE ROLLER BEARINGS

### PRICE LIST

NB 14-A 0110

01st Jan, 2010

#### MACHINED TYPE

#### NEEDLE ROLLER BEARINGS [WITHOUT RIBS]

##### WITHOUT INNER RING

<u>INA</u>	<u>IKO</u>	<u>PRICE</u>
RNAO 05X10X8 TN	RNAF 5108 N	467
RNAO 06X13X8 TN	RNAF 6138 N	462
RNAO 07X14X8 TN	RNAF 7148 N	486
RNAO 08X15X10 TN	RNAF 81510	467
–	RNAFW 81620	--
RNAO 10X17X10 TN	RNAF 101710	436
–	RNAF 102012	453
–	–	--
RNAO 12X19X10	RNAF 121910	--
RNAO 12X22X12 TN	RNAF 122212	436
–	RNAF 142213	436
–	RNAFW 142220	695
–	RNAF 142612	600
RNAO 15X23X13	RNAF 152313	467
–	RNAFW 152320	687
RNAO 16X24X13	RNAF 162413	467
RNAO 16X24X20	RNAFW 162420	695
RNAO 16X28X12	RNAF 162812	612
RNAO 17X25X13	RNAF 172513	947
–	RNAFW 172520	--
–	RNAF 182613	496
–	RNAFW 182620	718
–	RNAF 183012	612
RNAO 18X30X24	RNAFW 183024	1,163
RNAO 20X28X13	RNAF 202813	537
RNAO 20X28X26	RNAFW 202826	770
RNAO 20X32X12	RNAF 203212	681
–	RNAFW 203224	--
RNAO 22X30X13	RNAF 223013	577
–	RNAFW 223026	866
RNAO 22X35X16	RNAF 223516	718
–	RNAFW 223532	1,307
RNAO 25X35X17	RNAF 253517	669
RNAO 25X35X26	RNAFW 253526	886
RNAO 25X37X16	RNAF 253716	770
RNAO 25X37X32	RNAFW 253732	1,440
–	RNAF 284016	--
–	RNAFW 284032	--
RNAO 30X40X17	RNAF 304017	785
RNAO 30X40X26	RNAFW 304026	990
RNAO 30X42X16	RNAF 304216	886

##### WITH INNER RING

<u>INA</u>	<u>IKO</u>	<u>PRICE</u>
–	–	--
–	–	--
–	–	--
–	–	--
–	–	--
NAO 6X17X10 TN	NAF 61710	652
–	NAF 72012	652
NAO 8X19X10	NAF 81910	--
–	–	--
NAO 9X22X12 TN	NAF 92212	652
–	NAF 102213	664
–	NAFW 102220	938
–	NAF 102612	860
–	–	--
–	–	--
NAO 12X24X13	NAF 122413	703
NAO 12X24X20	NAFW 122420	968
NAO 12X28X12	NAF 122812	893
–	–	--
–	–	--
–	–	--
–	–	--
–	–	--
–	–	--
NAO 15X28X13	NAF 152813	788
–	NAFW 152826	1,130
NAO 15X32X12	NAF 153212	953
–	–	--
NAO 17X30X13	NAF 173013	860
–	NAFW 173026	1,362
NAO 17X35X16	NAF 173516	1,031
–	NAFW 173532	1,740
NAO 20X35X17	NAF 203517	953
–	NAFW 203526	1,304
NAO 20X37X16	NAF 203716	1,130
–	NAFW 203732	1,891
–	–	--
–	–	--
NAO 25X40X17	NAF 254017	1,103
–	NAFW 254026	1,437
NAO 25X42X16	NAF 254216	1,292



## NEEDLE ROLLER BEARINGS

### PRICE LIST

NB 14-B 0110

01st Jan, 2010

#### MACHINED TYPE

#### NEEDLE ROLLER BEARINGS [WITHOUT RIBS]

##### WITHOUT INNER RING

<u>INA</u>	<u>IKO</u>	<u>PRICE</u>
RNAO 30X42X32	RNAFW 304232	1,815
RNAO 32X42X13	--	1,265
RNAO 35X45X13	--	1,580
RNAO 35X45X17	RNAF 354517	971
RNAO 35X45X26	RNAFW 354526	1,221
RNAO 35X47X16	RNAF 354716	1,178
RNAO 35X47X18	--	3,386
RNAO 35X47X32	RNAFW 354732	2,178
RNAO 40X50X17	RNAF 405017	1,045
RNAO 40X50X34	RNAFW 405034	1,935
RNAO 40X55X20	RNAF 405520	1,276
RNAO 40X55X40	RNAFW 405540	2,782
RNAO 45X55X17	RNAFW 455517	1,234
--	RNAFW 455534	2,461
--	RNAF456220	1,555
RNAO 45X62X40	RNAFW 456240	2,850
RNAO 50X62X20	RNAF 506220	1,555
--	RNAFW 506240	2,844
RNAO 50X65X20	RNAF 506520	1,594
RNAO 50X65X40	RNAFW 506540	2,853
RNAO 55X68X20	RNAF 556820	1,610
--	RNAFW 556840	2,870
--	RNAF 557220	--
--	RNAFW 557240	2,935
RNAO 60X78X20	RNAF 607820	2,211
RNAO 60X78X40	RNAFW 607840	3,321

##### WITH INNER RING

<u>INA</u>	<u>IKO</u>	<u>PRICE</u>
NAO 25X42X32	NAFW 254232	2,240
NAO 29X42X13	--	1,705
--	--	--
NAO 30X45X17	NAF 304517	1,321
NAO 30X45X26	NAFW 304526	1,701
NAO 30X47X16	NAF 304716	1,552
NAO 30X47X18	--	4,057
--	NAFW 304732	2,629
NAO 35X50X17	NAF 355017	1,467
--	NAFW 355034	2,386
NAO 35X55X20	NAF 355520	1,727
--	NAFW 355540	3,233
NAO 40X55X17	NAF 405517	1,685
--	NAFW 405534	2,931
--	NAF 406220	2,019
--	NAFW 406240	3,418
--	NAF 456220	2,019
--	NAFW 456240	3,499
--	--	--
--	--	--
NAO 50X68X20	NAF 506820	2,347
--	NAFW 506840	4,074
--	NAF 457220	2,224
--	NAFW 457240	3,983
NAO 50X78X20	NAF 507820	3,003
--	NAFW 507840	4,636

**FAG****NEEDLE ROLLER BEARINGS****PRICE LIST**

NB 15 0110

01st Jan, 2010

**MACHINED TYPE  
NEEDLE ROLLER BEARINGS****WITHOUT INNER RING**

<b><u>IKO</u></b>	<b><u>PRICE</u></b>
TR 203320	852
TR 223425	862
TR 253820	1,053
TR 253825	1,082
TR 304425	1,278
TR 354830	1,399
TR 385230	1,613
TR 405520	1,399
TR 425630	1,733
TR 455930	1,886
TR 486230	1,992
TR 506430	2,100
TR 587745	2,973
TR 628138	3,640

**WITH INNER RING**

<b><u>IKO</u></b>	<b><u>PRICE</u></b>
TRI 153320	1,063
TRI 173425	1,087
TRI 203820	1,278
TRI 203825	1,365
TRI 254425	1,587
TRI 304830	1,947
TRI 325230	2,172
--	--
TRI 355630	2,317
TRI 405930	2,563
TRI 426230	2,709
TRI 456430	2,838
TRI 507745	3,843
TRI 558138	4,579





## PRICE LIST

NB 16 0110

01st Jan, 2010

### MACHINED TYPE NEEDLE ROLLER BEARINGS [INCH SERIES]

#### BEARINGS

<u>INA</u>	<u>IKO</u>	<u>PRICE</u>
NCS 1012	BR 101812	837
NCS 1016	--	--
NCS 1212	BR 122012	854
NCS 1216	BR 122016	938
NCS 1412	BR 142212	906
NCS 1416	BR 142216	906
NCS 1612	BR 162412	949
NCS 1616	BR 162416	1,027
NCS 1816	BR 182616	1,094
NCS 1820	BR 182620	1,125
NCS 2012	--	--
NCS 2016	BR 202816	1,229
NCS 2020	BR 202820	1,235
NCS 2216	BR 223016	1,296
NCS 2220	BR 223020	1,324
NCS 2416	BR 243316	1,350
NCS 2420	BR 243320	1,399
NCS 2616	BR 263516	1,423
NCS 2620	BR 263520	1,463
NCS 2816	BR 283716	1,564
NCS 2820	BR 283720	1,593
--	BR 283820	--
NCS 3016	BR 303916	--
NCS 3020	BR 303920	1,671
NCS 3216	BR 324116	1,662
NCS 3220	BR 324120	1,671
NCS 3624	BR 364824	2,545
NCS 3628	BR 364828	2,940
NCS 4024	BR 405224	2,851
NCS 4028	BR 405228	3,108
NCS 4424	BR 445624	3,307
NCS 4428	BR 445628	3,679
NCS 4824	BR 486024	3,503
NCS 4828	BR 486028	3,849

#### USABLE INNER RING

<u>INA</u>	<u>IKO</u>	<u>PRICE</u>
PI 061012	LRB 61012	304
--	LRB 61016	--
PI 081212	LRB 81212	304
PI 081216	LRB 81216	344
PI 101412	LRB 101412	323
PI 101416	LRB 101416	365
PI 121612	LRB 121612	344
PI 121616	LRB 121616	389
PI 141816	LRB 141816	415
PI 141820	LRB 141820	460
--	LRB 162012	--
PI 162016	LRB 162016	455
PI 162020	LRB 162020	505
PI 182216	LRB 182216	445
PI 182220	LRB 182220	527
PI 202416	LRB 202416	556
PI 202420	LRB 202420	669
--	LRB 222616	--
PI 222620	LRB 222620	529
PI 242816	LRB 242816	658
PI 242820	LRB 242820	698
--	LRB 242820	698
--	LRB 243016	--
--	LRB 243020	--
PI 263216	LRB 263216	815
--	LRB 263220	667
PI 283624	LRB 283624	913
--	LRB 283628	987
PI 324024	LRB 324024	1,018
--	LRB 324028	1,116
PI 364424	LRB 364424	1,137
--	LRB 364428	1,241
PI 404824	LRB 404824	1,254
--	LRB 404828	1,460



## PRICE LIST

NB 17 0110

01st Jan, 2010

### INNER RINGS FOR SHELL TYPE NEEDLE ROLLER BEARINGS [INCH SERIES]

<u>INA</u>	<u>IKO</u>	<u>PRICE</u>
SI 58	IRB 58	--
SI 68	IRB 68	227
SI 68-1	IRB 68-1	227
SI 612	IRB 612	305
SI 612-1	IRB 612-1	--
--	IRB 78	--
--	IRB 712	--
--	IRB 714	--
--	IRB 716	323
--	IRB 86	190
--	IRB 88	--
SI 812	IRB 812	--
--	IRB 88-1	--
--	IRB 810-1	--
--	IRB 812-1	305
--	IRB 814-1	--
--	IRB 816-1	344
--	IRB 98	--
--	IRB 910	--
--	IRB 912	--
--	IRB 914	--
--	IRB 916	--
--	IRB 920	--
SI 106	IRB 106	--
SI 108	IRB 108	--
SI 1012	IRB 1012	323
--	IRB 1014	--
SI 1016	IRB 1016	174
--	IRB 1022	192
--	IRB 1110	--
--	IRB 1116	--
SI 128	IRB 128	265
SI 1212	IRB 1212	344
--	IRB 1214	363
SI 1216	IRB 1216	389
SI 1220	IRB 1220	418
--	IRB 1316	357
SI 148	IRB 148	--
SI 1412	IRB 1412	333
SI 1416	IRB 1416	416
SI 1420	IRB 1420	460

<u>INA</u>	<u>IKO</u>	<u>PRICE</u>
--	IRB 168	--
--	IRB 1610	--
SI 1612	IRB 1612	416
SI 1616	IRB 1616	456
SI 1620	IRB 1620	504
--	IRB 168-1	--
--	IRB 1610-1	--
--	IRB 1612-1	431
SI 188	IRB 188	267
SI 1812	IRB 1812	405
SI 1816	IRB 1816	447
SI 1820	IRB 1820	529
--	IRB 2010	--
--	IRB 2014	--
SI 2016	IRB 2016	559
SI 2020	IRB 2020	672
SI 2210	IRB 2210	--
SI 2220	IRB 2220	--
--	IRB 2316	--
SI 2412	IRB 2412	--
SI 2416	IRB 2416	661
--	IRB 2424	786
--	IRB 248-1	--
--	IRB 2410-1	--
--	IRB 2616	851
--	IRB 2628	--
SI 2720	IRB 2720	--
--	IRB 3016	521
--	IRB 3024	915
--	IRB 3616	1,012
--	IRB 4016	--
--	IRB 4020	--





## NEEDLE ROLLER BEARINGS

### PRICE LIST

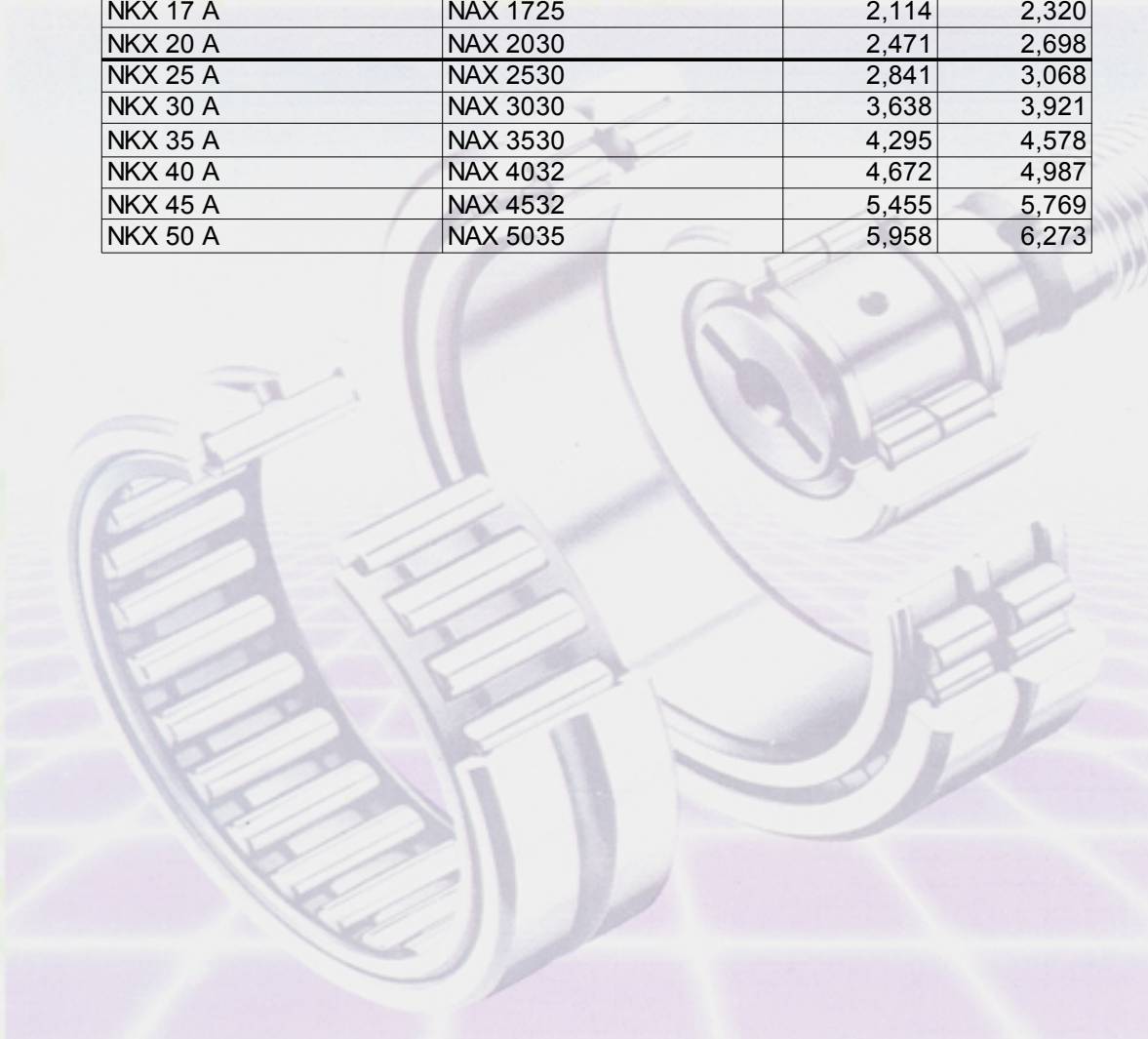
NB 18 0110

01st Jan, 2010

## NEEDLE ROLLER BEARINGS

### WITH THRUST BALL BEARINGS

<u>INA</u>	<u>IKO</u>	<u>PLAIN</u>	<u>Z</u>
NKX 10 TN A	NAX 1023	1,894	2,058
NKX 12 A	NAX 1223	1,943	2,146
NKX 15 A	NAX 1523	2,013	2,195
NKX 17 A	NAX 1725	2,114	2,320
NKX 20 A	NAX 2030	2,471	2,698
NKX 25 A	NAX 2530	2,841	3,068
NKX 30 A	NAX 3030	3,638	3,921
NKX 35 A	NAX 3530	4,295	4,578
NKX 40 A	NAX 4032	4,672	4,987
NKX 45 A	NAX 4532	5,455	5,769
NKX 50 A	NAX 5035	5,958	6,273



**FAG****NEEDLE ROLLER BEARINGS****PRICE LIST**

NB 19 0110

01st Jan, 2010

**THRUST NEEDLE ROLLER & CAGE ASSEMBLIES  
THRUST WASHERS**

<u>INA</u>	<u>IKO</u>	<u>PRICE</u>
AXK 0414 TN	--	211
AXK 0515 TN	--	207
AXK 0619 TN	--	189
AXK 0821 TN	--	175
AXK 1024 A	NTB 1024	160
AXK 1226 A	NTB 1226	164
AXK 1528 A	NTB 1528	164
AXK 1629	NTB 1629	202
AXK 1730 A	NTB 1730	214
AXK 1831	NTB 1831	254
AXK 2035 A	NTB 2035	182
AXK 2337	NTB 2337	256
AXK 2542 A	NTB 2542	193
AXK 3047 A	NTB 3047	215
AXK 3552 A	NTB 3552	251
AXK 4060 A	NTB 4060	277
AXK 4565 A	NTB 4565	324
AXK 5070 A	NTB 5070	371
AXK 5578 A	NTB 5578	430
AXK 6085 A	NTB 6085	517
AXK 6590 A	NTB 6590	666
AXK 7095 A	NTB 7095	925
AXK 75100 A	NTB 75100	1,114
AXK 80105 A	NTB 80105	1,321

<u>INA / IKO</u>	<u>PRICE</u>
AS 0414	76
AS 0515	33
AS 0619	33
AS 0821	36
AS 1024	44
AS 1226	44
AS 1528	44
AS 1629	58
AS 1730	44
AS 1831	58
AS 2035	44
AS 2337	120
AS 2542	55
AS 3047	66
AS 3552	69
AS 4060	102
AS 4565	109
AS 5070	127
AS 5578	146
AS 6085	175
AS 6590	189
AS 7095	240
AS 75100	295
AS 80105	349



## NEEDLE ROLLER BEARINGS

### PRICE LIST

NB 20 0110

01st Jan, 2010

#### CAM FOLLOWERS

##### METRIC SERIES

<u>INA</u>	<u>IKO</u>	<u>PLAIN</u>
--	CF 3 R	1,323
--	CF 4 R	1,169
--	CF 5 R	1,092
KR 16 NMT	CF 6 R	922
KR 19 NMT	CF 8 R	933
KR 22 B NMT	CF 10 R	984
KR 26 B NMT	CF 10-1 R	1,044
KR 30 B NMT	CF 12 R	1,234
KR 32 B NMT	CF 12-1 R	1,300
KR 35 B NMT	CF 16 R	1,391
KR 40 B NMT	CF 18 R	1,638
KR 52 B NMT	CF 20 R	2,184
KR 47 B NMT	CF 20-1 R	2,076
KR 62 B NMT	CF 24 R	3,376
KR 72 B NMT	CF 24-1 R	3,706
KR 80 B NMT	CF 30 R	4,667
KR 85 B NMT	CF 30-1 R	5,299
KR 90 B NMT	CF 30-2 R	5,674

##### INCH SERIES

<u>INA</u>	<u>IKO</u>	<u>PLAIN</u>
--	CR 8 R	983
CF 8-1	CR 8-1 R	983
--	CR 10 R	1,006
CF 10-1	CR 10-1 R	983
CF 12	CR 12 R	842
CF 14	CR 14 R	875
CF 16	CR 16 R	1,060
CF 18	CR 18 R	1,111
CF 20	CR 20 R	1,339
CF 22	CR 22 R	1,413
CF 24	CR 24 R	1,556
CF 26	CR 26 R	1,602
CF 28	CR 28 R	2,089
CF 30	CR 30 R	2,150
CF 32	CR 32 R	2,834
CF 36	CR 36 R	3,049



## NEEDLE ROLLER BEARINGS

### PRICE LIST

NB 21 0110

01st Jan, 2010

## YOKE TYPE TRACK ROLLERS

<u>INA</u>	<u>IKO</u>	<u>PLAIN</u>
NATR 5	NART 5 R	1,280
NATR 6	NART 6 R	1,242
NATR 8	NART 8 R	1,380
NATR 10	NART 10 R	2,010
NATR 12	NART 12 R	2,210
NATR 15	NART 15 R	2,360
NATR 17	NART 17 R	2,583
NATR 20	NART 20 R	2,875
NATR 25	NART 25 R	3,137
NATR 30	NART 30 R	3,886
NATR 35	NART 35 R	2,717
NATR 40	NART 40 R	3,195
NATR 45	NART 45 R	3,530
NATR 50	NART 50 R	3,910

<u>INA</u>	<u>IKO</u>	<u>PLAIN</u>	<u>ZZ</u>
STO 6 TN	NAST 6 R	1,362	1,410
STO 8 TN	NAST 8 R	1,373	1,470
STO 10	NAST 10 R	1,449	1,548
STO 12	NAST 12 R	1,576	1,641
STO 15	NAST 15 R	1,645	1,740
STO 17	NAST 17 R	1,685	1,782
STO 20	NAST 20 R	1,825	1,990
STO 25	NAST 25 R	2,090	2,236
STO 30	NAST 30 R	2,338	2,468
STO 35	NAST 35 R	2,539	2,714
STO 40	NAST 40 R	3,042	3,279
STO 45	NAST 45 R	3,277	3,568
STO 50	NAST 50 R	3,603	3,886



## PRICE LIST

NB 22 0110

01st Jan, 2010

### ROD ENDS [METRIC]

<u>ELGES / INA</u>	<u>IKO</u>	<u>ELGES / INA</u>	<u>IKO</u>	<u>PRICE</u>
GIKR 5 PB	PHS 5	GIKL 5 PB	PHS 5 L	708
GIKR 6 PB	PHS 6	GIKL 6 PB	PHS 6 L	758
GIKR 8 PB	PHS 8	GIKL 8 PB	PHS 8 L	865
GIKR 10 PB	PHS 10	GIKL 10 PB	PHS 10 L	1,008
GIKR 12 PB	PHS 12	GIKL 12 PB	PHS 12 L	1,169
GIKR 14 PB	PHS 14	GIKL 14 PB	PHS 14 L	1,386
GIKR 15 PB	PHS 15	GIKL 15 PB	PHS 15 L	--
GIKR 16 PB	PHS 16	GIKL 16 PB	PHS 16 L	1,725
GIKR 17 PB	PHS 17	GIKL 17 PB	PHS 17 L	--
GIKR 18 PB	PHS 18	GIKL 18 PB	PHS 18 L	2,120
GIKR 20 PB	PHS 20	GIKL 20 PB	PHS 20 L	2,507
GIKR 22 PB	PHS 22	GIKL 22 PB	PHS 22 L	2,959
GIKR 25 PB	PHS 25	GIKL 25 PB	PHS 25 L	5,867
--	PHS 28	--	PHS 28 L	7,211
GIKR 30 PB	PHS 30	GIKL 30 PB	PHS 30 L	8,204

<u>ELGES / INA</u>	<u>IKO</u>	<u>ELGES / INA</u>	<u>IKO</u>	<u>PRICE</u>
GAKR 5 PB	POS 5	GAKL 5 PB	POS 5 L	696
GAKR 6 PB	POS 6	GAKL 6 PB	POS 6 L	752
GAKR 8 PB	POS 8	GAKL 8 PB	POS 8 L	865
GAKR 10 PB	POS 10	GAKL 10 PB	POS 10 L	946
GAKR 12 PB	POS 12	GAKL 12 PB	POS 12 L	1,070
GAKR 14 PB	POS 14	GAKL 14 PB	POS 14 L	1,290
GAKR 15 PB	POS 15	GAKL 15 PB	POS 15 L	--
GAKR 16 PB	POS 16	GAKL 16 PB	POS 16 L	1,594
GAKR 17 PB	POS 17	GAKL 17 PB	POS 17 L	--
GAKR 18 PB	POS 18	GAKL 18 PB	POS 18 L	2,010
GAKR 20 PB	POS 20	GAKL 20 PB	POS 20 L	2,352
GAKR 22 PB	POS 22	GAKL 22 PB	POS 22 L	2,744
GAKR 25 PB	POS 25	GAKL 25 PB	POS 25 L	5,498
--	POS 28	--	POS 28 L	6,818
GAKR 30 PB	POS 30	GAKL 30 PB	POS 30 L	7,790



## PRICE LIST

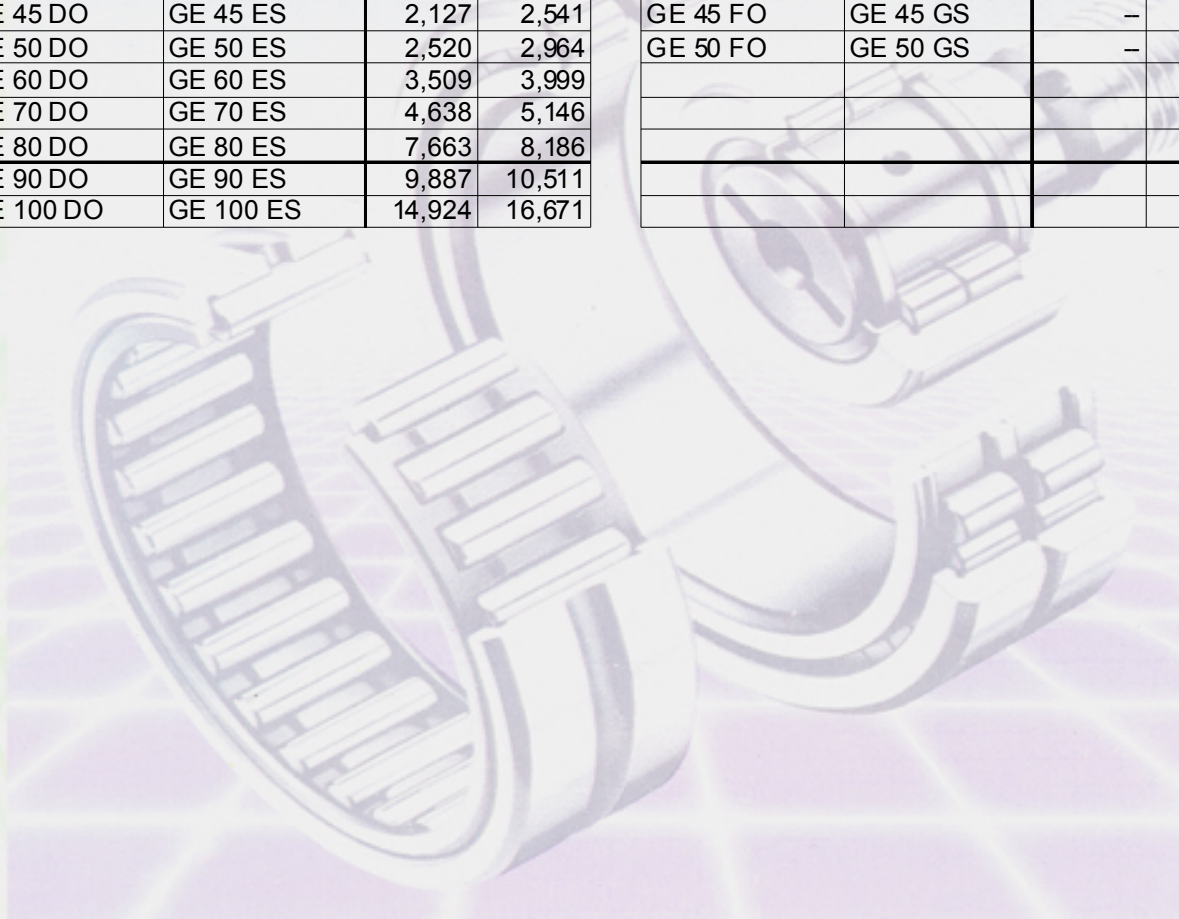
NB 23 0110

01st Jan, 2010

### PLAIN SPHERICAL BUSHINGS

<u>ELGES / INA</u>	<u>IKO</u>	<u>PLAIN</u>	<u>2RS</u>
GE 4 DO	GE 4 E	--	--
GE 6 DO	GE 6 E	--	--
GE 8 DO	GE 8 E	587	--
GE 10 DO	GE 10 E	609	--
GE 12 DO	GE 12 E	651	--
GE 15 DO	GE 15 ES	776	849
GE 17 DO	GE 17 ES	816	940
GE 20 DO	GE 20 ES	895	1,068
GE 25 DO	GE 25 ES	1,029	1,281
GE 30 DO	GE 30 ES	1,169	1,485
GE 35 DO	GE 35 ES	1,500	1,859
GE 40 DO	GE 40 ES	1,823	2,225
GE 45 DO	GE 45 ES	2,127	2,541
GE 50 DO	GE 50 ES	2,520	2,964
GE 60 DO	GE 60 ES	3,509	3,999
GE 70 DO	GE 70 ES	4,638	5,146
GE 80 DO	GE 80 ES	7,663	8,186
GE 90 DO	GE 90 ES	9,887	10,511
GE 100 DO	GE 100 ES	14,924	16,671

<u>ELGES / INA</u>	<u>IKO</u>	<u>PLAIN</u>	<u>2RS</u>
GE 4 FO	GE 4 G	--	--
GE 6 FO	GE 6 G	--	--
GE 8 FO	GE 8 G	--	--
GE 10 FO	GE 10 G	770	--
GE 12 FO	GE 12 G	936	--
GE 15 FO	GE 15 GS	1,028	1,183
GE 17 FO	GE 17 GS	1,157	1,367
GE 20 FO	GE 20 GS	1,393	1,933
GE 25 FO	GE 25 GS	1,669	2,275
GE 30 FO	GE 30 GS	2,049	2,351
GE 35 FO	GE 35 GS	2,446	2,841
GE 40 FO	GE 40 GS	2,867	3,309
GE 45 FO	GE 45 GS	--	3,902
GE 50 FO	GE 50 GS	--	5,158





## PRICE LIST

NB 24 0110

01st Jan, 2010

### LINEAR BUSHINGS

<u>INA</u>	<u>IKO</u>	<u>PLAIN</u>
--	LM 61219	1,465
--	LM 81517	1,251
--	LM 81524	1,360
--	LM 101929	1,251
--	LM 122130	1,250
--	LM 132332	1,251
--	LM 162837	1,714
--	LM 203242	2,105
--	LM 254059	3,285
--	LM 304564	4,997
--	LM 355270	5,999
--	LM 385776	6,927
--	LM 406080	7,139

<u>INA</u>	<u>IKO</u>	<u>PLAIN</u>
--	LME 51222 N	1,360
--	LME 81625	1,323
KB 1232	LME 122232	1,251
KB 1636	LME 162636	1,751
KB 2045	LME 203245	2,105
KB 2558	LME 254058	3,285
KB 3068	LME 304768	4,997
KB 4080	LME 406280	6,996

<u>INA</u>	<u>IKO</u>	<u>PLAIN</u>
--	LMB 4812	1,428
--	LMB 61014	1,323
--	LMB 81420	1,217
--	LMB 101824	--
--	LMB 122026	2,105
--	LMB 162536	3,285
--	LMB 203242	4,997
--	LMB 243848	6,782



## PRICE LIST

NB 25-A 0110

01st Jan, 2010

### INNER RINGS FOR NEEDLE ROLLER BEARINGS

<u>INA</u>	<u>IKO</u>	<u>PRICE</u>
-	LRT 5710	260
IR 5X8X12	LRT 5812	274
IR 5X8X16	LRT 5816	274
-	LRT 6810	274
IR 6X9X12	LRT 6912	214
IR 6X9X16	LRT 6916	229
IR 6X10X10	LRT 61010	202
-	LRT 7910	202
IR 7X10X10,5	IRT 710 [7X10X10.5]	175
IR 7X10X12	LRT 71012	202
-	IRT 712 [7X10X12.5]	175
-	IRT 715 [7X10X15.5]	190
IR 7X10X16	LRT 71016	229
-	LRT 81011	229
IR 8X12X10,5	IRT 810 [8X12X10.5]	175
IR 8X12X12,5	IRT 812 [8X12X12.5]	190
-	IRT 815 [8X12X15.5]	190
-	LRT 91211	202
IR 9X12X12	LRT 91212	202
IR 9X12X16	LRT 91216	202
IR 10X13X12,5	IRT 1012 [10X13X12.5]	190
IR 10X14X12	LRT 101412	229
-	IRT 1012-2 [10X14X12.5]	202
IR 10X14X13	LRT 101413	214
IR 10X14X14	LRTZ 101414	241
IR 10X14X16	LRT 101416	214
IR 10X14X20	LRT 101420	214
-	IRT 1020-2 [10X14X20.5]	214
-	IRT 1010-1 [10X15X10.5]	190
-	IRT 1012-1 [10X15X12.5]	202
-	LRT 101513	214
-	IRT 1015-1 [10X15X15.5]	214
-	IRT 1020-1 [10X15X20.5]	229
-	IRT 1025-1 [10X15X25.5]	274
IR 12X15X12,5	IRT 1212 [12X15X12.5]	214
IR 12X15X16,5	IRT 1216 [12X15X16.5]	229
IR 12X15X22,5	IRT 1222 [12X15X22.5]	274
IR 12X16X12	LRT 121612	253
-	IRT 1212-1 [12X16X12.5]	202





## PRICE LIST

NB 25-B 0110

01st Jan, 2010

### INNER RINGS FOR NEEDLE ROLLER BEARINGS

<u>INA</u>	<u>IKO</u>	<u>PRICE</u>
IR 12X16X13	LRT 121613	214
IR 12X16X14	LRTZ 121614	241
IR 12X16X16	LRT 121616	214
-	IRT 1216-1 [12X16X16.5]	229
IR 12X16X20	LRT 121620	241
-	IRT 1220-1 [12X16X20.5]	241
IR 12X16X22	LRT 121622	253
-	IRT 1222-1 [12X16X22.5]	229
-	LRTZ 121623	285
-	LRT 121713	229
-	IRT 1215-2 [12X17X15.5]	229
-	IRT 1220-2 [12X17X20.5]	241
-	IRT 1225-2 [12X17X25.5]	285
IR 14X17X17	LRT 141717	229
-	IRT 1512 [15X18X12.5]	190
-	IRT 1513 [15X18X13.5]	214
-	IRT 1515 [15X18X15.5]	214
IR 15X18X16,5	IRT 1516 [15X18X16.5]	214
-	IRT 1517 [15X18X17.5]	214
-	IRT 1519 [15X18X19.5]	229
-	IRT 1520 [15X18X20.5]	229
-	IRT 1525 [15X18X25.5]	285
IR 15X19X16	LRT 151916	202
IR 15X19X20	LRT 151920	214
-	IRT 1520-1 [15X19X20.5]	229
IR 15X20X12	LRT 152012	241
IR 15X20X13	LRT 152013	229
IR 15X20X14	LRTZ 152014	253
-	IRT 1515-2 [15X20X15.5]	229
-	LRT 152020	241
-	IRT 1520-2 [15X20X20.5]	241
IR 15X20X23	LRT 152023	285
-	LRTZ 152024	312
-	IRT 1525-2 [15X20X25.5]	300
-	LRT 152026	324
-	IRT 1530-2 [15X20X30.5]	348
IR 17X20X16,5	IRT 1716 [17X20X16.5]	229
IR 17X20X20,5	IRT 1720 [17X20X20.5]	241
IR 17X20X30,5	IRT 1730 [17X20X30.5]	348



## PRICE LIST

NB 25-C 0110

01st Jan, 2010

### INNER RINGS FOR NEEDLE ROLLER BEARINGS

<u>INA</u>	<u>IKO</u>	<u>PRICE</u>
IR 17X21X16	LRT 172116	190
-	IRT 1716-1 [17X21X16.5]	229
IR 17X21X20	LRT 172120	241
-	IRT 1720-1 [17X21X20.5]	241
-	IRT 1710-2 [17X22X10.5]	214
IR 17X22X13	LRT 172213	253
IR 17X22X14	LRTZ 172214	285
-	IRT 1715-2 [17X22X15.5]	241
IR 17X22X16	LRT 172216	285
-	IRT 1716-2 [17X22X16.5]	241
-	IRT 1720-2 [17X22X20.5]	274
IR 17X22X23	LRT 172223	366
-	LRTZ 172224	401
-	LRT 172225	253
-	IRT 1725-2 [17X22X25.5]	324
-	LRT 172226	366
-	IRT 1730-2 [17X22X30.5]	378
-	LRT 172232	378
IR 20X24X16	LRT 202416	241
-	IRT 2016 [20X24X 16.5]	241
IR 20X24X20	LRT 202420	253
-	IRT 2020 [20X24X 20.5]	274
-	IRT 2028 [20X24X 28.5]	348
-	IRT 2010-1 [20X25X10.5]	229
-	IRT 2015-1 [20X25X15.5]	229
IR 20X25X16	LRT 202516	324
IR 20X25X17	LRT 202517	253
IR 20X25X18	LRTZ 202518	285
IR 20X25X20,5	IRT 2020-1 [20X25X20.5]	274
-	LRT 202525	324
-	IRT 2025-1 [20X25X25.5]	312
-	LRT 202526	378
IR 20X25X26,5	IRT 2026-1 [20X25X26.5]	312
IR 20X25X30	LRT 202530	473
-	IRT 2030-1 [20X25X30.5]	390
-	LRTZ 202531	482
-	LRT 202532	390
IR 20X25X38,5	IRT 2038-1 [20X25X38.5]	523
-	LRT 202532	390



## PRICE LIST

NB 25-D 0110

01st Jan, 2010

### INNER RINGS FOR NEEDLE ROLLER BEARINGS

<u>INA</u>	<u>IKO</u>	<u>PRICE</u>
IR 20X25X38,5	IRT 2038-1 [20X25X38.5]	523
IR 22X26X16	LRT 222616	253
-	IRT 2216 [22X26X16.5]	274
IR 22X26X20	LRT 222620	300
-	IRT 2220 [22X26X20.5]	300
IR 22X28X17	LRT 222817	285
-	LRTZ 222818	306
IR 22X28X20,5	IRT 2220-1 [22X28X20.5]	300
IR 22X28X30	LRT 222830	562
-	IRT 2230-1 [22X28X30.5]	312
IR 25X29X20	LRT 252920	285
-	IRT 2520 [25X29X20.5]	274
IR 25X29X30	LRT 252930	390
-	IRT 2530 [25X29X30.5]	416
-	IRT 2515-1 [25X30X15.5]	274
IR 25X30X16	LRT 253016	366
IR 25X30X17	LRT 253017	285
IR 25X30X18	LRTZ 253018	312
IR 25X30X20,5	IRT 2520-1 [25X30X20.5]	312
-	LRT 253025	348
-	IRT 2525-1 [25X30X25.5]	348
-	LRT 253026	401
IR 25X30X26,5	IRT 2526-1 [25X30X26.5]	378
IR 25X30X30	LRT 253030	494
-	IRT 2530-1 [25X30X30.5]	428
-	LRTZ 253031	553
IR 25X30X32	LRT 253032	390
IR 25X30X38,5	IRT 2538-1 [25X30X38.5]	494
IR 28X32X17	LRT 283217	412
-	LRTZ 283218	315
IR 28X32X20	LRT 283220	300
-	IRT 2820 [28X32X20.5]	312
IR 28X32X30	LRT 283230	565
-	IRT 2830 [28X32X30.5]	443
-	IRT 3012 [30X35X12.5]	274
-	IRT 3015 [30X35X15.5]	300
IR 30X35X16	LRT 303516	348
IR 30X35X17	LRT 303517	324
IR 30X35X18	LRTZ 303518	348



## PRICE LIST

NB 25-E 0110

01st Jan, 2010

### INNER RINGS FOR NEEDLE ROLLER BEARINGS

<u>INA</u>	<u>IKO</u>	<u>PRICE</u>
IR 30X35X20	LRT 303520	336
IR 30X35X20,5	IRT 3020 [30X35X20.5]	348
-	IRT 3025 [30X35X25.5]	416
IR 30X35X26	LRT 303526	443
IR 30X35X30	LRT 303530	615
-	IRT 3030 [30X35X30.5]	494
-	LRTZ 303531	687
-	LRT 303532	416
IR 30X37X18	-	707
IR 30X37X22	-	783
IR 30X38X20	-	790
IR 32X37X20	LRT 323720	348
-	IRT 3220 [32X37X20.5]	378
IR 32X37X30	LRT 323730	615
-	IRT 3230 [32X37X30.5]	440
-	IRT 3220-1 [32X38X20.5]	390
-	IRT 3225-1 [32X38X25.5]	443
-	LRT 323830	630
-	IRT 3230-1 [32X38X30.5]	523
-	IRT 3245-1 [32X38X45.5]	740
IR 32X40X20	LRT 324020	324
-	LRTZ 324021	348
IR 32X40X36	LRT 324036	630
-	LRTZ 324037	696
-	IRT 3515 [35X40X15.5]	348
IR 35X40X17	LRT 354017	390
IR 35X40X20	LRT 354020	416
IR 35X40X20,5	IRT 3520 [35X40X20.5]	416
-	IRT 3525 [35X40X25.5]	482
IR 35X40X30	LRT 354030	645
-	IRT 3530 [35X40X30.5]	553
-	LRT 354034	416
-	LRT 354040	470
-	IRT 3540 [35X40X40.5]	708
IR 35X42X20	LRT 354220	390
IR 35X42X21	LRTZ 354221	428
IR 35X42X23	-	740
-	LRT 354230	657
IR 35X42X36	LRT 354236	696



## PRICE LIST

NB 25-F 0110

01st Jan, 2010

### INNER RINGS FOR NEEDLE ROLLER BEARINGS

<u>INA</u>	<u>IKO</u>	<u>PRICE</u>
-	LRTZ 354237	764
IR 35X43X22	-	747
IR 38X43X20	LRT 384320	416
IR 38X43X30	LRT 384330	642
IR 40X45X17	LRT 404517	416
IR 40X45X20	LRT 404520	428
IR 40X45X20,5	IRT 4020 [40X45X20.5]	428
-	IRT 4025 [40X45X25.5]	482
IR 40X45X30	LRT 404530	675
-	IRT 4030 [40X45X30.5]	553
-	LRT 404534	428
-	LRT 404540	523
-	IRT 4040 [40X45X40.5]	776
IR 40X48X22	LRT 404822	416
IR 40X48X23	LRTZ 404823	461
IR 40X48X40	LRT 404840	871
-	LRTZ 404841	966
IR 40X50X20	-	854
IR 40X50X22	-	886
IR 42X47X20	LRT 424720	461
IR 42X47X30	LRT 424730	675
-	LRT 454830	385
-	IRT 4512 [45X50X12.5]	348
-	IRT 4515 [45X50X15.5]	390
-	LRT 455020	428
-	IRT 4520 [45X50X20.5]	428
IR 45X50X25	LRT 455025	523
IR 45X50X25,5	IRT 4525 [45X50X25.5]	523
-	LRTZ 455030	833
-	IRT 4530 [45X50X30.5]	687
IR 45X50X35	LRT 455035	687
-	LRT 455040	604
-	IRT 4540 [45X50X40.5]	883
-	IRT 4545 [45X50X45.5]	943
IR 45X52X22	LRT 455222	511
IR 45X52X23	LRTZ 455223	565
IR 45X52X40	LRT 455240	928
-	LRTZ 455241	1,020
IR 45X55X20	LRT 455520	604



## PRICE LIST

NB 25-G 0110

01st Jan, 2010

### INNER RINGS FOR NEEDLE ROLLER BEARINGS

<u>INA</u>	<u>IKO</u>	<u>PRICE</u>
IR 45X55X22	–	877
IR 50X55X20	LRT 505520	565
–	IRT 5020-1 [50X55X20.5]	523
IR 50X55X25	LRT 505525	604
–	IRT 5025-1 [50X55X25.5]	630
IR 50X55X35	LRT 505535	740
–	LRT 505540	1,020
–	IRT 5040-1 [50X55X40.5]	954
–	IRT 5045-1 [50X55X45.5]	1,053
–	IRT 5050-1 [50X55X50.5]	1,142
IR 50X58X22	LRT 505822	592
IR 50X58X23	LRTZ 505823	645
IR 50X58X40	LRT 505840	966
–	LRTZ 505841	1,056
–	LRT 505845	978
IR 50X60X20	LRT 506020	726
–	IRT 5025 [50X60X25.5]	553
IR 50X60X28	–	1,008
–	IRT 5030 [50X60X30.5]	821
–	LRT 506040	1,204
–	IRT 5040 [50X60X40.5]	1,020
–	IRT 5045 [50X60X45.5]	1,115
–	IRT 5050 [50X60X50.5]	1,222