

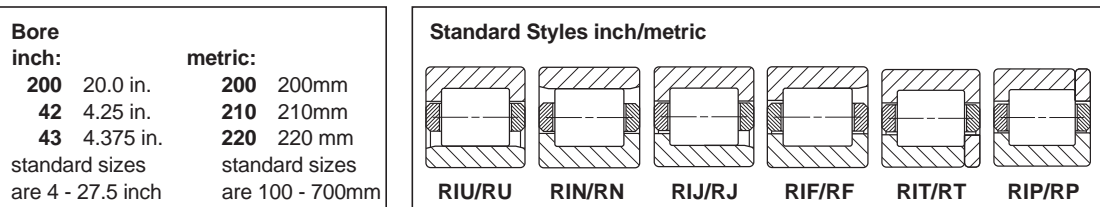
Radial Cylindrical Roller Bearings

Cylinder Roller Bearings

Nomenclature

Bearing Types	291
STANDARD STYLES, DIMENSIONS – LOAD RATINGS	
Bore Size 3.9370 - 5.1181in. (100 - 130 mm).....	293
Bore Size 5.2500 - 5.9055in. (133 - 150mm)	294
Bore Size 5.9055 - 6.6929in. (150 - 170mm)	295
Bore Size 6.6929 - 7.8740in. (170 - 200mm)	296
Bore Size 7.8740 - 9.0551in. (200 - 230mm)	297
Bore Size 9.0551 - 10.2362in. (230 - 260mm)	298
Bore Size 10.2362 - 12.5in. (260 - 317.5mm).....	299
Bore Size 12.500 - 16.000in. (317.5 - 406.4mm) ...	300
Bore Size 16.000 - 27.5in. (406.4 - 698.5mm)	301
5200, A5200 Metric Series	302

Radial Cylindrical Roller Bearings



METRIC

200

RU

02

OA107

R3

Series:

2 digits indicates metric envelope dimensions
3 digits indicates inch envelope dimensions

Modifications:

(First 2 letters are assigned by Torrington engineers)
letter other than "O" in first position indicates modification to inner ring.
Letter other than "O" in second position indicates modification to outer ring.

Common Modifications:

- 101** outer ring with special lubrication hole size
- 107** outer ring with standard lubrication holes and machined lubrication groove in center of o.d.
- 127** steel cage
- 132** wide inner ring
- 229** rings and rollers made of carburized grade steel
- 305** inner ring with oversize bore outer ring with standard lubrication holes and machined lubrication groove in center of o.d.
- 334** centrifrically cast bronze cage
- 771** mark bearings serially

Radial

Internal Clearance:

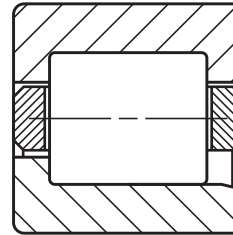
- R1** < R2
- R2** < R3
- R3** = Standard
- R4** > R3
- R5** > R4



RIJ, RJ

Types RIJ and RJ have double ribbed outer and single-ribbed inner rings and can support heavy radial loads, as well as light unidirectional thrust loads up to 10% of the radial load. The thrust load is transmitted between the diagonally opposed rib faces in a sliding rather than a rolling action. Thus, when limiting thrust conditions are approached, lubrication can become critical.

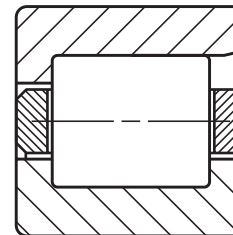
The Torrington Engineering department should be consulted for approval of such applications. When thrust loads are very light, these bearings may be used in an opposed mounting to locate the shaft. In such cases shaft endplay should be adjusted at time of assembly.



RIJ, RJ

RIF, RF

This type has the same characteristics as RIJ and RJ except it incorporates a double-ribbed inner ring and a single ribbed outer ring.

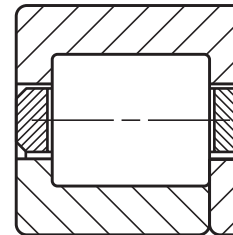


RIF, RF

RIT, RT

These types have a double-ribbed outer ring and a single ribbed inner ring with an abutting loose rib which allows the bearing to provide axial location and to carry light thrust loads in both directions. Factors governing radial and thrust capacities are the same as for RIJ and RJ.

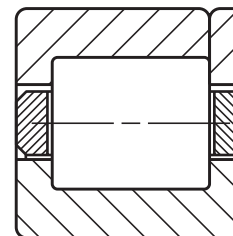
A type RIT or RT bearing may be used in conjunction with a type RN or RU bearing for applications where axial shaft expansion is anticipated. In such cases the fixed bearing is usually placed nearest the drive end of the shaft to minimize alignment variations in the drive. Shaft endplay (or float) is determined by the axial clearance in the bearing.



RIT, RT

RIP, RP

These types have the same characteristics as RIT and RT except that the inner ring is double-ribbed with a loose abutting rib.



RIP, RP



Bearing Types *(continued)*

5200 METRIC SERIES

The Torrington 5200 metric cylindrical roller bearing offers an enhanced radial capacity in most applications due to its internal design proportions. The outer ring of a 5200 Series bearing is double-ribbed to create a recessed raceway for the complement of rollers. Style A-5200, which finds the widest variety of applications in industry, includes a full-width plain inner ring.

Because of the manufacturing tolerances established by Torrington for the 5200 Series, components for any one cross section are interchangeable. This enables Torrington to supply finished 5200 Series bearings to customer order quickly from our complete inventory. 5200 series bearings are available with bore sizes from 100mm to 240mm.

The designer is also offered the option of specifying these bearings without the inner ring for installations with limited radial cross sections. In these installations the shaft serves as the inner ring and must therefore be hardened to Rc58 (minimum), and ground to a 14Ra, or better, surface finish.

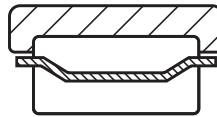
Torrington 5200 Series bearings are supplied with a stamped steel cage that is land riding on the outer ring ribs (indicated by the suffix "S" on the catalog number). The cage is designed to provide free-rolling separation, and also to retain the rollers. If the bearing is to be used under special conditions, such as reversing or high-speed applications, a machined bronze cage is available (suffix "M" on catalog number). Torrington district engineers should be consulted for specific recommendations.

The outer rings and rollers of Torrington 5200 series bearings are made from bearing-quality alloy steel. The inner rings are deep case carburized to accommodate the hoop stresses resulting from heavy press fits.

When supplied with an inner ring, all 5200 Series bearings have an R6 radial internal clearance (see page 305). Proper roller guidance is assured by integral ribs and roller end-clearance control.

5200

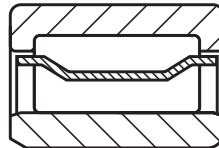
This type carries radial load only and has a double-ribbed outer ring. It has enhanced radial capacity due to internal design proportions. The bearings are useful for installations where limited radial cross section is available where the shaft serves as the inner ring.



5200 WS

A5200 WS

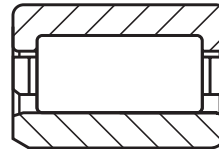
This type has the same characteristics as the 5200 except includes a full width cylindrical O.D. inner ring.



A5200 WS

A5200 WM

This type has the same characteristics as the WS except with a machined bronze cage.



A-52XX-WM



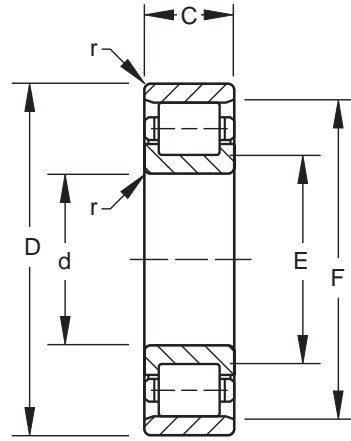
STANDARD STYLES

Six styles of radial cylindrical roller bearings are shown below. Each style is identified by a special letter designation. The dimension and load rating data applies to all six styles.

The inch series bearing numbers are presented in italicized type for convenient reference.

Life calculations, shaft and housing fits, tolerances and other technical data for these bearings are found in the Engineering section of this catalog.

Check for availability



DIMENSIONS / LOAD RATINGS

Bearing Number and Style						Bore d	Outside Diameter D	Width C	Shoulder Diameter		Fillet Radius ⁽¹⁾ r max.	Wt.	Load Ratings		Limiting ⁽²⁾ Speed (approx.)
RIU RU	RIN RN	RIJ RJ	RIF RF	RIT RT	RIP RP				Shaft E	Housing F			lbs. N	lbs. N	
100RU02	100RN02	100RJ02	100RF02	100RT02	100RP02	3.9370 100	7.0866 180	1.3386 34	4.5 114	6.5 165	0.08 2	8.5 3.8	55000 245000	49000 216000	2150
100RU03	100RN03	100RJ03	100RF03	100RT03	100RP03	3.9370 100	8.4646 215	1.8504 47	4.78 121	7.62 194	0.1 2.5	19.3 2.5	95000 415000	86500 380000	1900
100RU33	100RN33	100RJ33	100RF33	100RT33	100RP33	3.9370 100	8.4646 215	3.2500 82.6	4.81 122	7.59 193	0.1 2.5	34.2 15.5	196000 865000	150000 670000	1900
<i>40RIU130</i>	<i>40RIN130</i>	<i>40RIJ130</i>	<i>40RIF130</i>	<i>40RIT130</i>	<i>40RIP130</i>	4.0000 101.6	5.6250 142.88	0.8750 22.23	4.31 110	5.31 135	0.1 2.5	2.4 1.1	30000 134000	22000 98000	2450
<i>40RIU133</i>	<i>40RIN133</i>	<i>40RIJ133</i>	<i>40RIF133</i>	<i>40RIT133</i>	<i>40RIP133</i>	4.0000 101.6	8.5000 215.9	1.7500 44.45	4.75 121	7.75 197	0.16 4	18.3 8.3	73500 325000	72000 320000	1890
105RU02	105RN02	105RJ02	105RF02	105RT02	105RP02	4.1339 105	7.4803 190	1.4173 36	4.75 121	6.88 175	0.08 2	10.2 4.6	57000 250000	50000 224000	2030
105RU32	105RN32	105RJ32	105RF32	105RT32	105RP32	4.1339 105	7.4803 190	2.5625 65.1	4.75 121	6.88 175	0.08 2	18.3 8.3	146000 655000	108000 480000	2030
105RU03	105RN03	105RJ03	105RF03	105RT03	105RP03	4.1339 105	8.8583 225	1.9291 49	5 127	8 203	0.1 2.5	22.2 10.1	100000 450000	90000 400000	1820
<i>42RIU194</i>	<i>42RIN194</i>	<i>42RIJ194</i>	<i>42RIF194</i>	<i>42RIT194</i>	<i>42RIP194</i>	4.2500 107.95	8.7500 222.25	2.7500 69.85	5 127	8 203	0.16 4	30.0 13.6	160000 720000	129000 570000	1820
110RU02	110RN02	110RJ02	110RF02	110RT02	110RP02	4.3307 110	7.874 200	1.4961 38	4.94 125	7.28 185	0.08 2	11.8 5.4	71000 315000	62000 275000	1930
110RU03	110RN03	110RJ03	110RF03	110RT03	110RP03	4.3307 110	9.4488 240	1.9685 50	5.31 135	8.47 215	0.1 2.5	25.8 11.7	170000 750000	122000 550000	1710
<i>45RIU196</i>	<i>45RIN196</i>	<i>45RIJ196</i>	<i>45RIF196</i>	<i>45RIT196</i>	<i>45RIP196</i>	4.5000 114.3	8.0000 203.2	1.3125 33.34	5.12 130	7.38 187	0.12 3	10.5 4.8	55000 245000	50000 224000	1890
120RU30	120RN30	120RJ30	120RF30	120RT30	120RP30	4.7244 120	7.0866 180	1.8110 46	5.12 130	6.69 170	0.08 2	9.3 4.2	88000 390000	57000 255000	2000
120RU02	120RN02	120RJ02	120RF02	120RT02	120RP02	4.7244 120	8.4646 215	1.5748 40	5.38 137	7.81 198	0.08 2	14.4 6.5	72000 320000	64000 285000	1790
120RU92	120RN92	120RJ92	120RF92	120RT92	120RP92	4.7244 120	8.4646 215	3.0000 76.2	5.38 137	7.81 198	0.08 2	27.3 12.4	196000 865000	140000 620000	1790
120RU03	120RN03	120RJ03	120RF03	120RT03	120RP03	4.7244 120	10.2362 260	2.1654 55	5.72 145	9.25 235	0.1 2.5	33.4 15.2	120000 540000	112000 490000	1580
130RU30	130RN30	130RJ30	130RF30	130RT30	130RP30	5.1181 130	7.874 200	2.0472 52	5.62 143	7.38 187	0.08 2	13.5 6.1	122000 540000	80000 355000	1820
130RU02	130RN02	130RJ02	130RF02	130RT02	130RP02	5.1181 130	9.0551 230	1.5748 40	5.84 148	8.34 212	0.10 2.5	16.3 7.4	80000 355000	69500 305000	1660
130RU92	130RN92	130RJ92	130RF92	130RT92	130RP92	5.1181 130	9.0551 230	3.1250 79.4	5.84 148	8.38 213	0.1 2.5	32.4 14.7	224000 980000	153000 680000	1660
130RU03	130RN03	130RJ03	130RF03	130RT03	130RP03	5.1181 130	11.0236 280	2.2835 58	6.22 158	9.94 252	0.12 3	40.8 18.5	134000 600000	125000 550000	1460

⁽¹⁾ Maximum shaft or housing fillet radius which bearing corners will clear.

⁽²⁾ Limiting speed given for oil bath only; grease = oil.
2



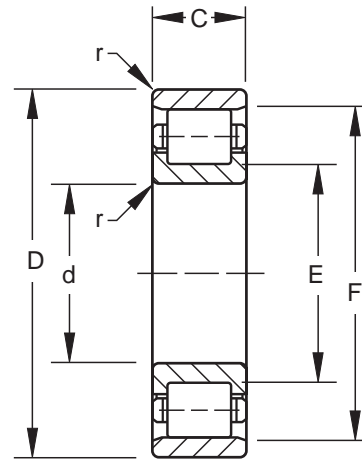
STANDARD STYLES

Six styles of radial cylindrical roller bearings are shown below. Each style is identified by a special letter designation. The dimension and load rating data applies to all six styles.

The inch series bearing numbers are presented in italicized type for convenient reference.

Life calculations, shaft and housing fits, tolerances and other technical data for these bearings are found in the Engineering section of this catalog.

Check for availability



DIMENSIONS / LOAD RATINGS

Bearing Number and Style						Bore d	Outside Diameter D	Width C	Shoulder Diameter		Fillet Radius r max.	Wt.	Load Ratings		Limiting ⁽²⁾ Speed (approx.) rpm
RIU RU	RIN RN	RIJ RJ	RIF RF	RIT RT	RIP RP				Shaft E	Housing F			Static Load Rating C ₀	Dynamic Load Rating C	
52RIU240	52RIN240	52RIJ240	52RIF240	52RIT240	52RIP240	5.2500 133.35	7.2500 184.15	1.0000 25.4	5.59 142	6.91 175	0.1 2.5	4.4 2.0	53000 232000	36000 160000	1890
53RIU241	53RIN241	53RIJ241	53RIF241	53RIT241	53RIP241	5.3750 136.52	7.5000 190.5	1.0000 25.4	5.84 148	7.16 182	0.1 2.5	4.9 2.2	54000 240000	36500 163000	1820
140RU30	140RN30	140RJ30	140RF30	140RT30	140RP30	5.5118 140	8.2677 210	2.0866 53	5.97 152	7.81 198	0.08 2	14.6 6.6	122000 540000	80000 355000	1710
140RU51	140RN51	140RJ51	140RF51	140RT51	140RP51	5.5118 140	8.6614 220	1.4173 36	6.09 155	8.09 206	0.08 2	11.6 5.3	68000 300000	54000 240000	1660
140RU91	140RN91	140RJ91	140RF91	140RT91	140RP91	5.5118 140	8.6614 220	2.5000 63.5	6.06 154	8.12 206	0.08 2	20.5 9.3	180000 800000	116000 520000	1660
140RU02	140RN02	140RJ02	140RF02	140RT02	140RP02	5.5118 140	9.8425 250	1.6535 42	6.25 159	9.09 231	0.1 2.5	20.2 9.2	104000 465000	88000 400000	1540
140RU92	140RN92	140RJ92	140RF92	140RT92	140RP92	5.5118 140	9.8425 250	3.2500 82.6	6.25 159	9.09 231	0.1 2.5	40.0 18.2	270000 1200000	186000 830000	1540
140RU03	140RN03	140RJ03	140RF03	140RT03	140RP03	5.5118 140	11.811 300	2.4409 62	6.62 168	10.69 271	0.12 3	50.2 22.8	150000 670000	137000 610000	1360
140RU93	140RN93	140RJ93	140RF93	140RT93	140RP93	5.5118 140	11.811 300	4.5000 114.3	6.62 168	10.69 271	0.12 3	92.5 42.0	400000 1760000	290000 1290000	1360
56RIU246	56RIN246	56RIJ246	56RIF246	56RIT246	56RIP246	5.6250 142.88	7.7500 196.85	1.0000 25.4	6.09 155	7.41 188	0.1 2.5	5.0 2.3	57000 250000	37500 166000	1750
150RU30	150RN30	150RJ30	150RF30	150RT30	150RP30	5.9055 150	8.8583 225	2.2047 56	6.44 16.4	8.31 211	0.08 2	17.7 8.0	146000 640000	95000 415000	1600
150RU51	150RN51	150RJ51	150RF51	150RT51	150RP51	5.9055 150	9.2520 235	1.4961 38	6.5 165	8.66 220	0.08 2	13.9 6.3	90000 400000	69500 310000	1560
150RU91	150RN91	150RJ91	150RF91	150RT91	150RP91	5.9055 150	9.2520 235	2.6250 66.7	6.5 165	8.66 220	0.08 2	24.5 11.1	204000 900000	132000 585000	1560
150RU02	150RN02	150RJ02	150RF02	150RT02	150RP02	5.9055 150	10.6299 270	1.7717 45	6.75 171	9.78 248	0.1 2.5	25.7 11.7	118000 520000	100000 440000	1430
150RU92	150RN92	150RJ92	150RF92	150RT92	150RP92	5.9055 150	10.6299 270	3.5000 88.9	6.69 170	9.84 250	0.1 2.5	50.9 23.1	315000 1400000	216000 950000	1430
150RU03	150RN03	150RJ03	150RF03	150RT03	150RP03	5.9055 150	12.5984 320	2.5591 65	7.16 182	11.34 288	0.12 3	60.1 27.3	183000 815000	163000 720000	1280

⁽¹⁾ Maximum shaft or housing fillet radius which bearing corners will clear.

⁽²⁾ Limiting speed given for oil bath only; grease = oil.
2



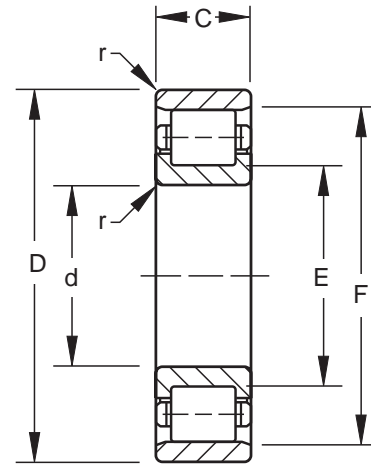
STANDARD STYLES

Six styles of radial cylindrical roller bearings are shown below. Each style is identified by a special letter designation. The dimension and load rating data applies to all six styles.

The inch series bearing numbers are presented in italicized type for convenient reference.

Life calculations, shaft and housing fits, tolerances and other technical data for these bearings are found in the Engineering section of this catalog.

Check for availability



DIMENSIONS / LOAD RATINGS

Bearing Number and Style						Bore d	Outside Diameter D	Width C	Shoulder Diameter		Fillet Radius r max.	Wt. Load	Load Ratings		Limiting ⁽²⁾ (approx.) rpm
RIU RU	RIN RN	RIJ RJ	RIF RF	RIT RT	RIP RP				Shaft E	Housing F			Static Load Rating C ₀	Dynamic Speed Rating C	
150RU93	150RN93	150RJ93	150RF93	150RT93	150RP93	5.9055 150	12.5984 320	4.8750 123.9	7.16 182	11.34 288	0.12 3	114.1 51.8	455000 2040000	325000 1460000	1280
60RIU247	60RIN247	60RIJ247	60RIF247	60RIT247	60RIP247	6.0000 152.4	8.0000 203.2	1.0000 25.4	6.34 161	7.66 194	0.1 2.5	4.9 2.2	61000 270000	39000 173000	1690
60RIU248	60RIN248	60RIJ248	60RIF248	60RIT248	60RIP248	6.0000 152.4	10.5000 266.7	1.5625 39.69	6.81 173	9.69 246	0.16 4	21.4 9.7	100000 450000	86500 380000	1430
60RIU249	60RIN249	60RIJ249	60RIF249	60RIT249	60RIP249	6.0000 152.4	10.5000 266.7	2.4375 61.91	6.84 174	9.66 245	0.16 4	33.5 15.2	196000 865000	146000 640000	1430
60RIU250	60RIN250	60RIJ250	60RIF250	60RIT250	60RIP250	6.0000 152.4	12.0000 304.8	2.2500 57.15	7.16 182	10.84 275	0.2 5	45.6 20.7	166000 735000	143000 640000	1310
60RIU251	60RIN251	60RIJ251	60RIF251	60RIT251	60RIP251	6.0000 152.4	12.0000 304.8	3.5000 88.9	7.12 181	10.88 276	0.2 5	71.3 32.3	305000 1340000	228000 1020000	1310
160RU30	160RN30	160RJ30	160RF30	160RT30	160RP30	6.2992 160	9.4488 240	2.3622 60	6.88 175	8.88 225	0.08 2	21.7 9.8	170000 765000	108000 475000	1500
160RU51	160RN51	160RJ51	160RF51	160RT51	160RP51	6.2992 160	9.8425 250	1.5748 40	6.81 173	9.31 237	0.08 2	16.5 7.5	102000 455000	78000 345000	1460
160RU91	160RN91	160RJ91	160RF91	160RT91	160RP91	6.2992 160	9.8425 250	2.8750 73	6.81 173	9.34 237	0.08 2	30.3 13.7	240000 1060000	150000 670000	1460
160RU02	160RN02	160RJ02	160RF02	160RT02	160RP02	6.2992 160	11.4173 290	1.8898 48	7.19 183	10.5 267	0.1 2.5	31.8 14.4	150000 670000	122000 550000	1330
160RU92	160RN92	160RJ92	160RF92	160RT92	160RP92	6.2992 160	11.4173 290	3.8750 98	7.19 183	10.53 267	0.1 2.5	65.6 29.8	345000 1560000	236000 1060000	1330
160RU03	160RN03	160RJ03	160RF03	160RT03	160RP02	6.2992 160	13.3858 340	2.6772 68	7.62 194	12.06 306	0.12 3	71.0 32.2	204000 900000	176000 780000	1200
160RU93	160RN93	160RJ93	160RF93	160RT93	160RP93	6.2992 160	13.3858 340	5.2500 133	7.62 194	12.06 306	0.12 3	138.6 62.8	520000 2320000	375000 1660000	1200
170RU30	170RN30	170RJ30	170RF30	170RT30	170RP30	6.6929 170	10.2362 260	2.6378 67	7.31 186	9.56 243	0.08 2	29.1 13.2	228000 1020000	143000 640000	1400
170RU51	170RN51	170RJ51	170RF51	170RT51	170RP51	6.6929 170	10.4331 265	1.6535 42	7.38 187	9.75 248	0.1 2.5	19.4 8.8	114000 510000	86500 380000	1380
170RU91	170RN91	170RJ91	170RF91	170RT91	170RP91	6.6929 170	10.4331 265	3.0000 76.2	7.38 187	9.75 248	0.1 2.5	35.5 16.1	260000 1160000	166000 735000	1380
170RU02	170RN02	170RJ02	170RF02	170RT02	170RP02	6.6929 170	12.2047 310	2.0472 52	7.69 195	11.22 285	0.12 3	40.0 18.2	156000 695000	132000 585000	1250
170RU92	170RN92	170RJ92	170RF92	170RT92	170RP92	6.6929 170	12.2047 310	4.1250 104.8	7.72 196	11.19 284	0.12 3	80.6 36.5	430000 1930000	290000 1270000	1250

⁽¹⁾ Maximum shaft or housing fillet radius which bearing corners will clear.

⁽²⁾ Limiting speed given for oil bath only; grease = $\frac{\text{oil}}{2}$.



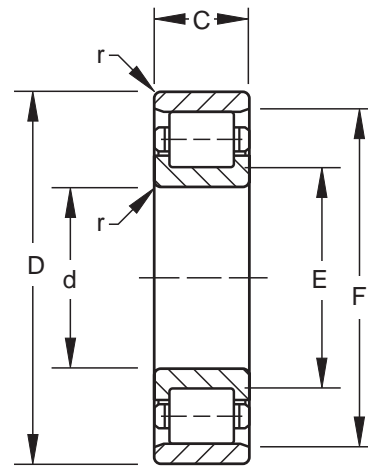
STANDARD STYLES

Six styles of radial cylindrical roller bearings are shown below. Each style is identified by a special letter designation. The dimension and load rating data applies to all six styles.

The inch series bearing numbers are presented in italicized type for convenient reference.

Life calculations, shaft and housing fits, tolerances and other technical data for these bearings are found in the Engineering section of this catalog.

Check for availability



DIMENSIONS / LOAD RATINGS

Bearing Number and Style						Bore d	Outside Diameter D	Width C	Shoulder Diameter		Fillet ⁽¹⁾ Radius r max.	Wt.	Load Ratings		Limiting ⁽²⁾ Speed (approx.) rpm
RIU RU	RIN RN	RIJ RJ	RIF RF	RIT RT	RIP RP				Shaft E	Housing F			Static Load Rating C ₀	Dynamic Load Rating C	
170RU03	170RN03	170RJ03	170RF03	170RT03	170RP03	6.6929 170	14.1732 360	2.8346 72	8.06 205	12.81 325	0.12 3	84.1 38.2	228000 1020000	200000 880000	1130
170RU93	170RN93	170RJ93	170RF93	170RT93	170RP93	6.6929 170	14.1732 360	5.5000 139.7	8.06 205	12.81 325	0.12 3	162.4 73.6	585000 2600000	415000 1830000	1130
180RU51	180RN51	180RJ51	180RF51	180RT51	180RP51	7.0866 180	11.0236 280	1.7323 44	7.72 196	10.34 263	0.1 2.5	22.7 10.3	134000 600000	100000 440000	1300
180RU30	180RN30	180RJ30	180RF30	180RT30	180RP30	7.0866 180	11.0236 280	2.9134 74	7.75 197	10.38 264	0.08 2	38.4 17.4	280000 1250000	176000 780000	1300
180RU91	180RN91	180RJ91	180RF91	180RT91	180RP91	7.0866 180	11.0236 280	3.2500 82.6	7.75 197	10.31 262	0.1 2.5	42.9 19.4	325000 1430000	196000 880000	1300
180RU02	180RN02	180RJ02	180RF02	180RT02	180RP02	7.0866 180	12.5984 320	2.0472 52	8.06 205	11.62 295	0.12 3	41.6 18.9	160000 710000	129000 585000	1200
180RU92	180RN92	180RJ92	180RF92	180RT92	180RP92	7.0866 180	12.5984 320	4.2500 108	8.09 206	11.59 294	0.12 3	86.6 39.3	440000 1930000	285000 1270000	1200
180RU03	180RN03	180RJ03	180RF03	180RT03	180RP03	7.0866 180	14.9606 380	2.9528 75	8.5 216	13.56 344	0.12 3	97.0 44.0	270000 1200000	232000 1020000	1070
190RU30	190RN30	190RJ30	190RF30	190RT30	190RP30	7.4803 190	11.4173 290	2.9528 75	8.16 207	10.72 272	0.08 2	40.6 18.4	285000 1270000	176000 780000	1250
190RU51	190RN51	190RJ51	190RF51	190RT51	190RP51	7.4803 190	11.8110 300	1.8110 46	8.25 210	11.03 280	0.1 2.5	28.0 12.7	156000 695000	114000 510000	1230
190RU91	190RN91	190RJ91	190RF91	190RT91	190RP91	7.4803 190	11.8110 300	3.3750 85.7	8.25 210	11.06 281	0.1 2.5	52.5 23.8	365000 1630000	220000 980000	1220
190RU02	190RN02	190RJ02	190RF02	190RT02	190RP02	7.4803 190	13.3858 340	2.1654 55	8.5 216	12.38 314	0.12 3	50.0 22.7	208000 930000	166000 735000	1130
190RU92	190RN92	190RJ92	190RF92	190RT92	190RP92	7.4803 190	13.3858 340	4.5000 114.3	8.56 217	12.28 312	0.12 3	104.2 47.3	500000 2240000	325000 1460000	1130
190RU03	190RN03	190RJ03	190RF03	190RT03	190RP03	7.4803 190	15.7480 400	3.0709 78	9.16 233	14.06 357	0.16 4	113.5 51.5	290000 1320000	240000 1060000	1020
200RU30	200RN30	200RJ30	200RF30	200RT30	200RP30	7.8740 200	12.2047 310	3.2283 82	8.66 220	11.41 290	0.08 2	52.5 23.8	355000 1560000	212000 930000	1180
200RU51	200RN51	200RJ51	200RF51	200RT51	200RP51	7.8740 200	12.5984 320	1.8898 48	8.69 221	11.78 299	0.1 2.5	34.1 15.5	166000 735000	122000 550000	1150
200RU91	200RN91	200RJ91	200RF91	200RT91	200RP91	7.8740 200	12.5984 320	3.5000 88.9	8.69 221	11.78 299	0.12 3	63.4 28.8	365000 1630000	228000 1020000	1150
200RU02	200RN02	200RJ02	200RF02	200RT02	200RP02	7.8740 200	14.1732 360	2.2835 58	9.06 230	13 330	0.12 3	60.2 27.3	208000 930000	163000 735000	1070

⁽¹⁾ Maximum shaft or housing fillet which bearing corners will clear.

⁽²⁾ Limiting speed given for oil bath only; grease = $\frac{oil}{2}$.



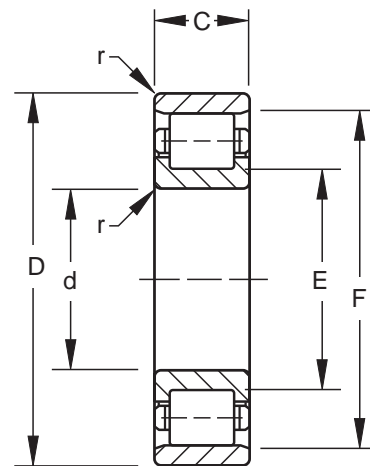
STANDARD STYLES

Six styles of radial cylindrical roller bearings are shown below. Each style is identified by a special letter designation. The dimension and load rating data applies to all six styles.

The inch series bearing numbers are presented in italicized type for convenient reference.

Life calculations, shaft and housing fits, tolerances and other technical data for these bearings are found in the Engineering section of this catalog.

Check for availability



DIMENSIONS / LOAD RATINGS

Bearing Number and Style						Bore d	Outside Diameter D	Width C	Shoulder Diameter		Fillet Radius r max.	Wt.	Load Ratings		Limiting Speed ⁽²⁾ (approx.)
RIU RU	RIN RN	RIJ RJ	RIF RF	RIT RT	RIP RP				Shaft E	Housing F			Static Load Rating C ₀	Dynamic Load Rating C	
						inch mm	inch mm	inch mm	inch mm	inch mm	lbs. kg	lbs. N	lbs. N	rpm	
200RU92	200RN92	200RJ92	200RF92	200RT92	200RP92	7.8740 200	14.1732 360	4.7500 120.7	9.06 230	13 330	0.12 3	125.2 56.8	585000 2600000	365000 1630000	1070
200RU03	200RN03	200RJ03	200RF03	200RT03	200RP03	7.8740 200	16.5354 420	3.1496 80	9.5 241	14.91 379	0.16 4	127.0 57.6	290000 1290000	250000 1120000	970
210RU51	210RN51	210RJ51	210RF51	210RT51	210RP51	8.2677 210	13.3858 340	1.9685 50	9.22 234	12.44 316	0.1 2.5	40.3 18.3	176000 780000	134000 600000	1090
210RU91	210RN91	210RJ91	210RF91	210RT91	210RP91	8.2677 210	13.3858 340	3.7500 95.3	9.16 233	12.5 318	0.1 2.5	77.7 35.3	440000 1960000	275000 1220000	1090
210RU02	210RN02	210RJ02	210RF02	210RT02	210RP02	8.2677 210	14.9606 380	2.4409 62	9.53 242	13.69 348	0.12 3	71.5 32.4	236000 1060000	190000 850000	1020
210RU92	210RN92	210RJ92	210RF92	210RT92	210RP92	8.2677 210	14.9606 380	5.0000 127	9.44 240	13.78 350	0.12 3	145.8 66.1	600000 2700000	400000 1760000	1020
210RU03	210RN03	210RJ03	210RF03	210RT03	210RP03	8.2677 210	17.3228 440	3.3071 84	9.94 252	15.66 398	0.16 4	146.2 66.3	325000 1430000	275000 1220000	920
<i>85RIU391</i>	<i>85RIN391</i>	<i>85RIJ391</i>	<i>85RIF391</i>	<i>85RIT391</i>	<i>85RIP391</i>	8.5000 215.9	11.5000 292.1	1.5000 38.1	9 229	11 279	0.12 3	16.5 7.5	122000 640000	75000 335000	1180
220RU30	220RN30	220RJ30	220RF30	220RT30	220RP30	8.6614 220	13.3858 340	3.5433 90	9.5 241	12.5 318	0.1 2.5	68.9 31.2	440000 1960000	260000 1160000	1070
220RU51	220RN51	220RJ51	220RF51	220RT51	220RP51	8.6614 220	13.7796 350	2.0079 51	9.59 244	12.84 326	0.1 2.5	43.2 19.6	193000 865000	143000 630000	1050
220RU91	220RN91	220RJ91	220RF91	220RT91	220RP91	8.6614 220	13.7796 350	3.8750 98.4	9.5 241	12.94 329	0.1 2.5	82.9 37.6	475000 2080000	290000 1290000	1050
220RU02	220RN02	220RJ02	220RF02	220RT02	220RP02	8.6614 220	15.7480 400	2.5591 65	10.06 256	14.38 365	0.12 3	84.4 38.3	260000 1180000	208000 915000	970
220RU92	220RN92	220RJ92	220RF92	220RT92	220RP92	8.6614 220	15.7480 400	5.2500 133.4	9.94 252	14.5 368	0.12 3	172.9 78.4	735000 3250000	455000 2000000	970
220RU03	220RN03	220RJ03	220RF03	220RT03	220RP03	8.6614 220	18.1102 460	3.4646 88	10.28 261	16.5 419	0.16 4	167.2 75.9	360000 1600000	305000 1340000	880
<i>90RIU395</i>	<i>90RIN395</i>	<i>90RIJ395</i>	<i>90RIF395</i>	<i>90RIT395</i>	<i>90RIP395</i>	9.0000 228.6	12.0000 304.8	1.5000 38.1	9.5 241	11.5 292	0.16 4	17.3 7.8	132000 585000	80000 355000	1120
<i>90RIU396</i>	<i>90RIN396</i>	<i>90RIJ396</i>	<i>90RIF396</i>	<i>90RIT396</i>	<i>90RIP396</i>	9.0000 228.6	14.5000 368.3	2.0000 50.8	10.03 255	13.47 342	0.2 5	48.4 21.9	208000 930000	153000 680000	1010
<i>90RIU399</i>	<i>90RIN399</i>	<i>90RIJ399</i>	<i>90RIF399</i>	<i>90RIT399</i>	<i>90RIP399</i>	9.0000 228.6	17.0000 431.8	4.6250 117.48	10.44 265	15.56 395	0.2 5	182.4 82.7	600000 2600000	415000 1860000	910
230RU51	230RN51	230RJ51	230RF51	230RT51	230RP51	9.0551 230	14.5669 370	2.0866 53	10.06 256	13.56 344	0.12 3	50.8 23.1	224000 1000000	163000 720000	1000

⁽¹⁾ Maximum shaft or housing fillet radius which bearing corners will clear.

⁽²⁾ Limiting speed given for oil bath only; grease = oil / 2



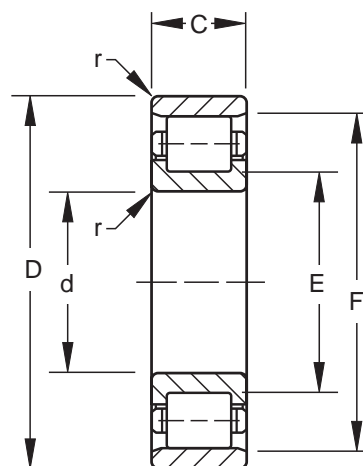
STANDARD STYLES

Six styles of radial cylindrical roller bearings are shown below. Each style is identified by a special letter designation. The dimension and load rating data applies to all six styles.

The inch series bearing numbers are presented in italicized type for convenient reference.

Life calculations, shaft and housing fits, tolerances and other technical data for these bearings are found in the Engineering section of this catalog.

Check for availability



DIMENSIONS / LOAD RATINGS

Bearing Number and Style						Bore d	Outside Diameter D	Width C	Shoulder Diameter		Fillet Radius r max.	Wt.	Load Ratings		Limiting Speed (approx.) rpm
RIU RU	RIN RN	RJ RJ	RIF RF	RIT RT	RIP RP				E	F			Static Load Rating C ₀	Dynamic Load Rating C	
						inch mm	inch mm	inch mm	inch mm	inch mm	lbs. kg	lbs. N	lbs. N		
230RU91	230RN91	230RJ91	230RF91	230RT91	230RP91	9.0551 230	14.5669 370	4.0000 101.6	10.06 256	13.56 344	0.12 3	97.7 44.3	550000 2450000	325000 1460000	1000
230RU02	230RN02	230RJ02	230RF02	230RT02	230RP02	9.0551 230	16.5354 420	2.7165 69	10.38 263	15.25 387	0.12 3	98.1 44.5	305000 1370000	240000 1080000	920
230RU92	230RN92	230RJ92	230RF92	230RT92	230RP92	9.0551 230	16.5354 420	5.5000 139	10.38 263	15.25 387	0.12 3	199.2 90.4	765000 3400000	490000 2200000	920
230RU03	230RN03	230RJ03	230RF03	230RT03	230RP03	9.0551 230	18.8976 480	3.5827 91	10.97 279	16.97 431	0.16 4	188.8 85.6	380000 1700000	315000 1400000	850
240RU30	240RN30	240RJ30	240RF30	240RT30	240RP30	9.4488 240	14.1732 360	3.6220 92	10.31 262	13.31 338	0.1 2.5	75.8 34.4	490000 2200000	275000 1220000	1000
240RU51	240RN51	240RJ51	240RF51	240RT51	240RP51	9.4488 240	15.3543 390	2.1654 55	10.44 265	14.38 365	0.12 3	59.8 27.2	236000 1060000	173000 765000	950
240RU91	240RN91	240RJ91	240RF91	240RT91	240RP91	9.4488 240	15.3543 390	4.2500 108	10.44 265	14.38 365	0.12 3	117.7 53.4	600000 2700000	355000 1600000	950
240RU02	240RN02	240RJ02	240RF02	240RT02	240RP02	9.4488 240	17.3228 440	2.8346 72	10.91 277	15.84 402	0.12 3	113.7 51.6	315000 1400000	250000 1100000	880
240RU92	240RN92	240RJ92	240RF92	240RT92	240RP92	9.4488 240	17.3228 440	5.7500 146	10.91 277	15.84 402	0.12 3	230.0 104.3	850000 3750000	540000 2400000	880
240RU03	240RN03	240RJ03	240RF03	240RT03	240RP03	9.4488 240	19.685 500	3.7402 95	11.38 289	17.75 451	0.16 4	215.0 97.5	450000 2000000	360000 1600000	810
<i>95RIU430</i>	<i>95RIN430</i>	<i>95RIJ430</i>	<i>95RIF430</i>	<i>95RIT430</i>	<i>95RIP430</i>	9.5000 241.3	12.7500 323.85	1.6250 41.27	10.03 255	12.22 310	0.16 4	21.5 9.8	156000 695000	95000 425000	1060
250RU51	250RN51	250RJ51	250RF51	250RT51	250RP51	9.8425 250	16.1417 410	2.2441 57	10.94 278	15.06 383	0.12 3	69.0 31.3	255000 1140000	190000 850000	910
250RU91	250RN91	250RJ91	250RF91	250RT91	250RP91	9.8425 250	16.1417 410	4.3750 111.1	10.94 278	15.06 383	0.12 3	134.3 60.9	610000 2750000	380000 1700000	910
250RU02	250RN02	250RJ02	250RF02	250RT02	250RP02	9.8425 250	18.1102 460	2.9921 76	11.47 291	16.47 418	0.16 4	131.8 59.8	360000 1600000	275000 1220000	850
250RU92	250RN92	250RJ92	250RF92	250RT92	250RP92	9.8425 250	18.1102 460	6.0000 152.4	11.47 291	16.47 418	0.16 4	263.9 119.7	915000 4050000	570000 2550000	850
250RU03	250RN03	250RJ03	250RF03	250RT03	250RP03	9.8425 250	20.4724 520	3.8583 98	11.81 300	18.5 470	0.2 5	240.3 109.0	475000 2120000	375000 1660000	780
<i>100RIU433</i>	<i>100RIN433</i>	<i>100RIJ433</i>	<i>100RIF433</i>	<i>100RIT433</i>	<i>100RIP433</i>	10.0000 254	13.2500 336.55	1.6250 41.27	10.59 269	12.66 322	0.16 4	22.4 10.2	163000 735000	96500 430000	1020
260RU30	260RN30	260RJ30	260RF30	260RT30	260RP30	10.2362 260	15.7480 400	4.0945 104	11.22 285	14.78 375	0.12 3	109.8 49.8	600000 2600000	345000 1530000	910

⁽¹⁾ Maximum shaft or housing fillet radius which bearing corners will clear.

⁽²⁾ Limiting speed given for oil bath only; grease = oil.
2



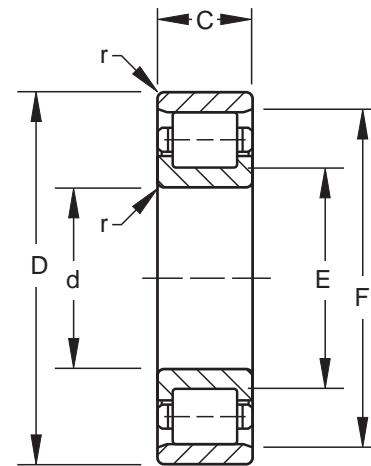
STANDARD STYLES

Six styles of radial cylindrical roller bearings are shown below. Each style is identified by a special letter designation. The dimension and load rating data applies to all six styles.

The inch series bearing numbers are presented in italicized type for convenient reference.

Life calculations, shaft and housing fits, tolerances and other technical data for these bearings are found in the Engineering section of this catalog.

Check for availability



DIMENSIONS / LOAD RATINGS

Bearing Number and Style						Bore d	Outside Diameter D	Width C	Shoulder Diameter		Fillet Radius r max.	Wt.	Load Ratings		Limiting Speed (approx.) rpm
RIU RU	RIN RN	RIJ RJ	RIF RF	RIT RT	RIP RP				Shaft E	Housing F			Static Load Rating C ₀	Dynamic Load Rating C	
260RU51	260RN51	260RJ51	260RF51	260RT51	260RP51	10.2362 260	16.9291 430	2.3228 59	11.44 291	15.72 399	0.12 3	79.6 36.1	270000 1200000	204000 900000	870
260RU91	260RN91	260RJ91	260RF91	260RT91	260RP91	10.2362 260	16.9291 430	4.5000 114.3	11.44 291	15.72 399	0.12 3	154.3 70.0	695000 3100000	425000 1900000	870
260RU02	260RN02	260RJ02	260RF02	260RT02	260RP02	10.2362 260	18.8976 480	3.1496 80	11.81 300	17.31 440	0.16 4	150.4 68.2	400000 1760000	305000 1370000	810
260RU92	260RN92	260RJ92	260RF92	260RT92	260RP92	10.2362 260	18.8976 480	6.2500 158.8	11.81 300	17.31 440	0.16 4	300.4 136.3	1000000 4400000	630000 2800000	810
260RU03	260RN03	260RJ03	260RF03	260RT03	260RP03	10.2362 260	21.2598 540	4.0157 102	12.38 314	19.12 486	0.2 5	268.9 122.0	520000 2320000	415000 1860000	750
<i>110RIU473</i>	<i>110RIN473</i>	<i>110RIJ473</i>	<i>110RIF473</i>	<i>110RIT473</i>	<i>110RIP473</i>	11.0000 279.4	14.5000 368.3	1.7500 44.45	11.62 295	13.88 352	0.16 4	28.7 13.0	208000 930000	118000 530000	930
280RU30	280RN30	280RJ30	280RF30	280RT30	280RP30	11.0236 280	16.5354 420	4.1732 106	11.94 303	15.62 397	0.12 3	118.8 53.9	680000 3050000	380000 1700000	860
280RU51	280RN51	280RJ51	280RF51	280RT51	280RP51	11.0236 280	18.1102 460	2.4803 63	12.25 311	16.88 429	0.12 3	98.1 44.5	325000 1430000	228000 1000000	810
280RU91	280RN91	280RJ91	280RF91	280RT91	280RP91	11.0236 280	18.1102 460	4.8750 123.8	12.25 311	16.88 429	0.12 3	192.8 87.4	830000 3750000	475000 2120000	810
280RU02	280RN02	280RJ02	280RF02	280RT02	280RP02	11.0236 280	19.6850 500	3.1496 80	12.56 319	18.16 461	0.16 4	159.0 72.1	450000 2000000	335000 1500000	770
280RU92	280RN92	280RJ92	280RF92	280RT92	280RP92	11.0236 280	19.6850 500	6.5000 165.1	12.56 319	18.16 461	0.16 4	327.9 148.7	1180000 5200000	710000 3150000	770
280RU03	280RN03	280RJ03	280RF03	280RT03	280RP03	11.0236 280	22.8346 580	4.2520 108	13.44 341	20.44 519	0.2 5	327.6 148.6	620000 2750000	480000 2160000	700
300RU30	300RN30	300RJ30	300RF30	300RT30	300RP30	11.8110 300	18.1102 460	4.6457 118	13 330	16.91 429	0.12 3	166.0 75.3	830000 3750000	455000 2040000	790
300RU51	300RN51	300RJ51	300RF51	300RT51	300RP51	11.8110 300	18.8976 480	2.6378 67	12.94 329	17.78 452	0.12 3	108.2 49.1	375000 1660000	260000 1160000	770
300RU91	300RN91	300RJ91	300RF91	300RT91	300RP91	11.8110 300	18.8976 480	5.0000 127	12.94 329	17.78 452	0.12 3	205.1 93.0	900000 4000000	520000 2320000	770
300RU02	300RN02	300RJ02	300RF02	300RT02	300RP02	11.8110 300	21.2598 540	3.3465 85	13.5 343	19.56 497	0.16 4	199.6 90.5	510000 2280000	375000 1660000	710
300RU92	300RN92	300RJ92	300RF92	300RT92	300RP92	11.8110 300	21.2598 540	7.0000 177.8	13.5 343	19.56 497	0.16 4	415.6 188.5	1400000 6200000	830000 3750000	710
<i>125RIU550</i>	<i>125RIN550</i>	<i>125RIJ550</i>	<i>125RIF550</i>	<i>125RIT550</i>	<i>125RIP550</i>	12.5000 317.5	16.5000 419.1	2.0000 50.8	13.25 337	15.75 400	0.2 5	42.8 19.4	290000 1290000	160000 710000	810

⁽¹⁾ Maximum shaft or housing fillet radius which bearing corners will clear.

⁽²⁾ Limiting speed given for oil bath only; grease = $\frac{\text{oil}}{2}$.



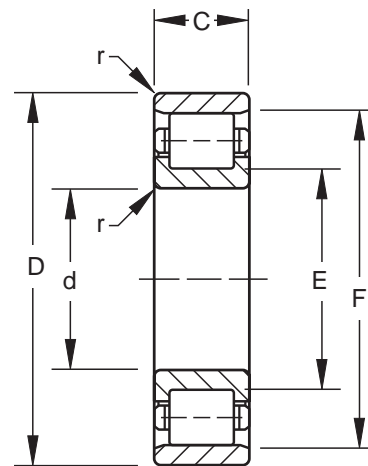
STANDARD STYLES

Six styles of radial cylindrical roller bearings are shown below. Each style is identified by a special letter designation. The dimension and load rating data applies to all six styles.

The inch series bearing numbers are presented in italicized type for convenient reference.

Life calculations, shaft and housing fits, tolerances and other technical data for these bearings are found in the Engineering section of this catalog.

Check for availability.



DIMENSIONS / LOAD RATINGS

Bearing Number and Style						Bore d	Outside Diameter D	Width C	Shoulder Diameter		Fillet Radius r max.	Wt.	Load Ratings		Limiting Speed (approx.) rpm
RIU RU	RIN RN	RIJ RJ	RIF RF	RIT RT	RIP RP				Shaft E	Housing F			Static Load Rating C ₀	Dynamic Load Rating C	
						inch mm	inch mm	inch mm	inch mm	inch mm	lbs. kg	lbs. N	lbs. N		
<i>125RIU551</i>	<i>125RIN551</i>	<i>125RIJ551</i>	<i>125RIF551</i>	<i>125RIT551</i>	<i>125RIP551</i>	12.5000 317.5	19.0000 482.6	2.6250 66.67	13.75 337	17.75 451	0.2 5	101.3 46.0	405000 1800000	260000 118000	750
320RU30	320RN30	320RJ30	320RF30	320RT30	320RP30	12.5984 320	18.8976 480	4.7638 121	13.66 347	17.84 453	0.12 3	179.1 81.3	900000 4050000	480000 2120000	750
320RU51	320RN51	320RJ51	320RF51	320RT51	320RP51	12.5984 320	19.685 500	2.7953 71	13.88 352	18.41 468	0.12 3	120.7 54.7	425000 1900000	285000 1270000	730
320RU91	320RN91	320RJ91	320RF91	320RT91	320RP91	12.5984 320	19.6850 500	5.1250 130.2	13.88 352	18.41 468	0.12 3	221.2 100.3	980000 4300000	550000 2450000	730
320RU02	320RN02	320RJ02	320RF02	320RT02	320RP02	12.5984 320	22.8346 580	3.6220 92	14.5 368	20.94 532	0.16 4	253.4 114.9	550000 2450000	405000 1800000	670
320RU92	320RN92	320RJ92	320RF92	320RT92	320RP92	12.5984 320	22.8346 580	7.5000 190.5	14.56 370	20.88 530	0.16 4	521.1 236.4	1530000 6700000	900000 4000000	670
340RU30	340RN30	340RJ30	340RF30	340RT30	340RP30	13.3858 340	20.4724 520	5.2362 133	14.66 372	19.22 488	0.16 4	237.2 107.6	1040000 4650000	570000 2550000	700
<i>135RIU580</i>	<i>135RIN580</i>	<i>135RIJ580</i>	<i>135RIF580</i>	<i>135RIT580</i>	<i>135RIP580</i>	13.5000 342.9	18.0000 457.2	2.2500 57.15	14.38 365	17.12 435	0.2 5	60.0 27.2	345000 1530000	183000 815000	750
<i>135RIU582</i>	<i>135RIN582</i>	<i>135RIJ582</i>	<i>135RIF582</i>	<i>135RIT582</i>	<i>135RIP582</i>	13.5000 342.9	20.7500 527.1	4.1250 104.77	14.81 376	19.44 494	0.2 5	193.9 88.0	765000 3450000	455000 2040000	690
360RU30	360RN30	360RJ30	360RF30	360RT30	360RP30	14.1732 360	21.2598 540	5.2765 134	15.44 392	20 508	0.16 4	250.4 113.6	1100000 4900000	585000 2600000	670
<i>145RIU610</i>	<i>145RIN610</i>	<i>145RIJ610</i>	<i>145RIF610</i>	<i>145RIT610</i>	<i>145RIP610</i>	14.5000 368.3	19.5000 495.3	2.5000 63.5	15.38 391	18.62 473	0.2 5	79.0 35.8	455000 2040000	245000 1100000	690
380RU30	380RN30	380RJ30	380RF30	380RT30	380RP30	14.9606 380	22.0472 560	5.3150 135	16.22 412	20.78 528	0.16 4	263.4 119.5	1180000 5200000	610000 2750000	640
<i>150RIU613</i>	<i>150RIN613</i>	<i>150RIJ613</i>	<i>150RIF613</i>	<i>150RIT613</i>	<i>150RIP613</i>	15.0000 381	20.0000 508	2.5000 63.5	15.91 404	19.09 485	0.2 5	81.3 36.9	455000 2040000	245000 1100000	670
<i>150RIU616</i>	<i>150RIN616</i>	<i>150RIJ616</i>	<i>150RIF616</i>	<i>150RIT616</i>	<i>150RIP616</i>	15.0000 381	20.0000 508	2.8750 73.02	15.88 403	19.12 486	0.18 4.5	93.7 42.5	540000 2400000	280000 1250000	670
<i>150RIU615</i>	<i>150RIN615</i>	<i>150RIJ615</i>	<i>150RIF615</i>	<i>150RIT615</i>	<i>150RIP615</i>	15.0000 381	22.5000 571.5	4.5000 114.3	16.38 416	21.12 537	0.2 5	239.3 108.6	950000 4250000	540000 2400000	630
<i>155RIU640</i>	<i>155RIN640</i>	<i>155RIJ640</i>	<i>155RIF640</i>	<i>155RIT640</i>	<i>155RIP640</i>	15.5000 393.7	20.5000 520.7	2.5000 63.5	16.38 416	19.62 498	0.2 5	83.8 38.0	455000 2040000	245000 1080000	660
400RU30	400RN30	400RJ30	400RF30	400RT30	400RP30	15.7480 400	23.6220 600	5.8268 148	17.25 438	22.12 562	0.16 4	343.2 155.7	1340000 6000000	695000 3100000	600
<i>160RIU643</i>	<i>160RIN643</i>	<i>160RIJ643</i>	<i>160RIF643</i>	<i>160RIT643</i>	<i>160RIP643</i>	16.0000 406.4	21.5000 546.1	2.7500 69.85	17 432	20.5 521	0.2 5	106.2 48.2	560000 2500000	300000 1320000	630
<i>160RIU644</i>	<i>160RIN644</i>	<i>160RIJ644</i>	<i>160RIF644</i>	<i>160RIT644</i>	<i>160RIP644</i>	16.0000 406.4	23.7500 603.25	3.2500 82.55	17.5 444	22.25 565	0.2 5	190.4 86.4	630000 2800000	380000 1700000	590

⁽¹⁾ Maximum shaft or housing fillet radius which bearing corners will clear.

⁽²⁾ Limiting speed given for oil bath only; grease = oil.
2



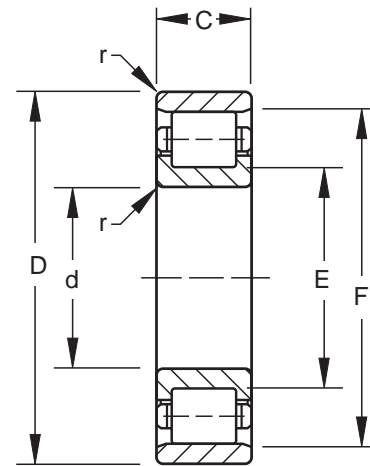
STANDARD STYLES

Six styles of radial cylindrical roller bearings are shown below. Each style is identified by a special letter designation. The dimension and load rating data applies to all six styles.

The inch series bearing numbers are presented in italicized type for convenient reference.

Life calculations, shaft and housing fits, tolerances and other technical data for these bearings are found in the Engineering section of this catalog.

Check for availability.



DIMENSIONS / LOAD RATINGS

Bearing Number and Style						Bore d	Outside Diameter D	Width C	Shoulder Diameter		Fillet ⁽¹⁾ Radius r max.	Wt.	Load Ratings		Limiting ⁽²⁾ Speed (approx.) rpm
RIU RU	RIN RN	RIJ RJ	RIF RF	RIT RT	RIP RP				Shaft E	Housing F			Static Load Rating C ₀	Dynamic Load Rating C	
160RIU645	160RIN645	160RIJ645	160RIF645	160RIT645	160RIP645	16.0000 406.4	23.7500 603.25	4.8750 123.82	17.41 442	22.34 568	0.2 5	285.4 129.4	1120000 5000000	600000 2600000	590
165RIU662	165RIN662	165RIJ662	165RIF662	165RIT662	165RIP662	16.5000 419.1	24.5000 622.3	5.0000 127	17.97 456	23.03 585	0.2 5	310.9 141.0	1200000 5400000	655000 2900000	580
420RU30	420RN30	420RJ30	420RF30	420RT30	420RP30	16.5354 420	24.4094 620	5.9055 150	18.03 458	22.91 582	0.16 4	362.6 164.5	1500000 6550000	750000 3550000	580
170RIU663	170RIN663	170RIJ663	170RIF663	170RIT663	170RIP663	17.0000 431.8	23.0000 584.2	3.0000 76.2	18.12 460	21.88 556	0.24 6	135.4 61.4	670000 3000000	355000 1560000	590
170RIU664	170RIN664	170RIJ664	170RIF664	170RIT664	170RIP664	17.0000 431.8	25.0000 635	3.5000 88.9	18.5 470	23.5 597	0.24 6	223.2 101.2	780000 3450000	455000 2040000	560
440RU30	440RN30	440RJ30	440RF30	440RT30	440RP30	17.3228 440	25.5906 650	6.1811 157	18.75 476	24.12 613	0.2 5	417.5 189.4	1660000 7350000	830000 3650000	550
180RIU683	180RIN683	180RIJ683	180RIF683	180RIT683	180RIP683	18.0000 457.2	27.0000 685.8	3.5000 88.9	19.69 500	25.31 643	0.24 6	270.1 122.5	780000 3450000	480000 2160000	520
180RIU684	180RIN684	180RIJ684	180RIF684	180RIT684	180RIP684	18.0000 457.2	27.0000 685.8	5.5000 139.7	19.69 500	25.31 643	0.24 6	423.8 192.2	1430000 6300000	765000 3400000	520
460RU30	460RN30	460RJ30	460RF30	460RT30	460RP30	18.1102 460	26.7717 680	6.4173 163	19.62 498	25.25 641	0.2 5	475.2 215.6	1800000 8000000	900000 4000000	530
185RIU696	185RIN696	185RIJ696	185RIF696	185RIT696	185RIP696	18.5000 469.9	27.5000 698.5	5.5000 88.9	20.19 513	25.81 656	0.24 6	434.6 125.5	1500000 6550000	800000 3550000	510
480RU30	480RN30	480RJ30	480RF30	480RT30	480RP30	18.8976 480	27.5591 700	6.4961 165	20.38 518	26.00 660	0.2 5	497.4 225.6	1830000 8150000	900000 4000000	510
500RU30	500RN30	500RJ30	500RF30	500RT30	500RP30	19.6850 500	28.3465 720	6.5748 167	21.25 540	26.78 680	0.2 5	518.7 235.3	1900000 8300000	930000 4150000	490
530RU30	530RN30	530RJ30	530RF30	530RT30	530RP30	20.8661 530	30.7087 780	7.2835 185	22.75 578	28.75 730	0.2 5	709.2 321.7	2360000 10600000	1140000 5100000	460
210RIU728	210RIN728	210RIJ728	210RIF728	210RIT728	210RIP728	21.0000 533.4	31.0000 787.4	6.3750 161.92	22.78 579	29.22 742	0.24 6	636.0 288.5	1900000 8500000	965000 4300000	450
220RIU744	220RIN744	220RIJ744	220RIF744	220RIT744	220RIP744	22.0000 558.8	28.0000 711.2	4.3750 111.12	23.12 587	26.88 683	0.2 5	247.3 112.2	1290000 5700000	550000 2450000	470
560RU30	560RN30	560RJ30	560RF30	560RT30	560RP30	22.0472 560	32.2835 820	7.6772 195	23.91 607	30.44 773	0.2 5	815.0 369.7	2550000 11400000	1250000 5500000	430
600RU30	600RN30	600RJ30	600RF30	600RT30	600RP30	23.6220 600	34.2520 870	7.8740 200	25.59 650	32.28 820	0.2 5	926.7 420.3	2800000 12500000	1340000 6000000	410
260RIU802	260RIN802	260RIJ802	260RIF802	260RIT802	260RIP802	26.0000 660.4	37.7500 958.85	5.0000 127	28.19 716	35.56 903	0.24 6	720.1 326.6	1630000 7200000	900000 4000000	370
275RIU808	275RIN808	275RIJ808	275RIF808	275RIT808	275RIP808	27.5000 698.5	40.0000 1016	5.2500 133.35	29.81 757	37.69 957	0.24 6	850.3 385.7	1860000 8300000	1040000 4550000	350

⁽¹⁾ Maximum shaft or housing fillet radius which bearing corners will clear.

⁽²⁾ Limiting speed given for oil bath only; grease = oil.



5200, A5200 Metric Series

Ring tolerances are found on page 305.

Life and load calculations are found in the engineering section of this catalog.

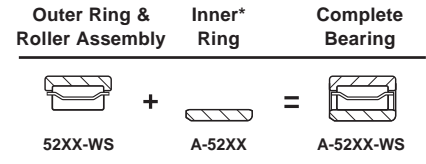
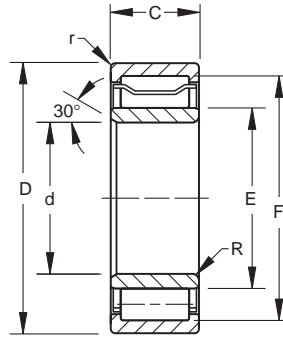
Shaft and housing fits, tolerances and shaft diameters are found on pages 304 and 305.

In the bearing number:

W = double ribbed outer ring.

S = stamped steel land-riding cage.

M = machined bronze land-riding cage.



*Inner ring can be ordered separately

DIMENSIONS

Bearing Number			Bore d	Outside Diam D		Width C		Shaft Shoulder Diameter E		Housing Shoulder Diameter F		Shaft Fillet *R max.		Housing Fillet ‡r max.		Wt.		
Bearing with Inner Ring	Brg. without Inner Ring	Inner Ring Only		inch	mm	inch	mm	inch	mm	inch	mm	inch	mm	inch	mm	lbs.	kg	
A-5220-WS	—	—	3.9370	100	7.0866	180	2.3750	60.325	4.62	117.5	6.56	166.7	0.16	4.0	0.08	2.0	15.9	7.2
—	5220 WS	—	4.7690 ⁽¹⁾	121.133	7.0866	180	2.3750	60.325	—	—	6.56	166.7	—	—	0.08	2.0	12.1	5.5
—	—	A-5220	3.9370	100	4.7640	121.006	2.3750	60.325	4.62	117.5	—	—	0.16	4.0	—	—	3.8	1.7
A-5222-WS	—	—	4.3307	110	7.8740	200	2.7500	69.850	5.12	130.2	7.31	185.7	0.16	4.0	0.08	2.0	22.9	10.4
—	5222 WS	—	5.2393 ⁽¹⁾	133.078	7.8740	200	2.7500	69.850	—	—	7.31	185.7	—	—	0.08	2.0	17.6	8.0
—	—	A-5222	4.3307	110	5.2343	132.951	2.7500	69.850	5.12	130.2	—	—	0.16	4.0	—	—	5.3	2.4
A-5224-WS	—	—	4.7244	120	8.4646	215	3.0000	76.200	5.69	144.5	7.75	196.8	0.19	4.8	0.08	2.0	28.6	13.0
—	5224 WS	—	5.7191 ⁽¹⁾	145.265	8.4646	215	3.0000	76.200	—	—	7.75	196.8	—	—	0.08	2.0	21.7	9.8
—	—	A-5224	4.7244	120	5.7141	145.138	3.0000	76.200	5.69	144.5	—	—	0.19	4.8	—	—	6.9	3.1
A-5226-WS	—	—	5.1181	130	9.0551	230	3.1250	79.375	5.81	147.6	8.38	212.7	0.19	4.8	0.10	2.5	33.6	15.2
—	5226 WS	—	6.1069 ⁽¹⁾	155.115	9.0551	230	3.1250	79.375	—	—	8.38	212.7	—	—	0.10	2.5	26.0	11.8
—	—	A-5226	5.1181	130	6.1013	154.973	3.1250	79.375	5.81	147.6	—	—	0.19	4.8	—	—	7.6	3.4
A-5228-WS	—	—	5.5118	140	9.8425	250	3.2500	82.550	6.50	165.1	9.12	231.8	0.19	4.8	0.10	2.5	41.7	18.9
—	5228 WS	—	6.6379 ⁽¹⁾	168.603	9.8425	250	3.2500	82.550	—	—	9.12	231.8	—	—	0.10	2.5	31.9	14.5
—	—	A-5228	5.5118	140	6.6323	168.460	3.2500	82.550	6.50	165.1	—	—	0.19	4.8	—	—	9.8	4.4
A-5230-WS	—	—	5.9055	150	10.6299	270	3.5000	88.900	7.03	178.6	9.94	252.4	0.25	6.4	0.10	2.5	52.8	23.9
—	5230 WS	—	7.1534 ⁽¹⁾	181.696	10.6299	270	3.5000	88.900	—	—	9.94	252.4	—	—	0.10	2.5	40.2	18.2
—	—	A-5230	5.9055	150	7.1474	181.544	3.5000	88.900	7.03	178.6	—	—	0.25	6.4	—	—	12.6	5.7
A-5232-WS	—	—	6.2992	160	11.4173	290	3.8750	98.425	7.50	190.5	10.56	268.3	0.25	6.4	0.10	2.5	67.8	30.8
—	5232 WS	—	7.6294 ⁽¹⁾	193.787	11.4173	290	3.8750	98.425	—	—	10.56	268.3	—	—	0.10	2.5	51.9	23.5
—	—	A-5232	6.2992	160	7.6234	193.634	3.8750	98.425	7.50	190.5	—	—	0.25	6.4	—	—	15.9	7.2
A-5234-WS	—	—	6.6929	170	12.2047	310	4.1250	104.775	7.94	201.6	11.25	285.8	0.25	6.4	0.12	3.0	82.9	37.6
—	5234 WS	—	8.0959 ⁽¹⁾	205.636	12.2047	310	4.1250	104.775	—	—	11.25	285.8	—	—	0.12	3.0	64.0	29.0
—	—	A-5234	6.6929	170	8.0899	205.483	4.1250	104.775	7.94	201.6	—	—	0.25	6.4	—	—	18.9	8.6
A-5236-WS	—	—	7.0866	180	12.5984	320	4.2500	107.950	8.31	211.1	11.72	297.7	0.25	6.4	0.12	3.0	89.0	40.4
—	5236 WS	—	8.5213 ⁽¹⁾	216.441	12.5984	320	4.2500	107.950	—	—	11.72	297.7	—	—	0.12	3.0	68.0	30.8
—	—	A-5236	7.0866	180	8.5153	216.289	4.2500	107.950	8.31	211.1	—	—	0.25	6.4	—	—	21.0	9.5
A-5238-WS	—	—	7.4803	190	13.3858	340	4.5000	114.300	8.81	223.8	12.31	312.7	0.31	7.9	0.12	3.0	107.0	48.5
—	5238 WS	—	9.0199 ⁽¹⁾	229.105	13.3858	340	4.5000	114.300	—	—	12.31	312.7	—	—	0.12	3.0	81.7	37.1
—	—	A-5238	7.4803	190	9.0131	228.933	4.5000	114.300	8.81	223.8	—	—	0.31	7.9	—	—	25.3	11.5
A-5240-WS	—	—	7.8740	200	14.1732	360	4.7500	120.650	9.25	235.0	12.81	325.4	0.31	7.9	0.12	3.0	127.0	57.6
—	5240 WS	—	9.5421 ⁽¹⁾	242.369	14.1732	360	4.7500	120.650	—	—	12.81	325.4	—	—	0.12	3.0	97.0	44.0
—	—	A-5240	7.8740	200	9.5353	242.197	4.7500	120.650	9.25	235.0	—	—	0.31	7.9	—	—	30.0	13.6
A-5244-WM	—	—	8.6614	220	15.7480	400	5.2500	133.350	10.25	260.4	14.44	366.7	0.38	9.5	0.12	3.0	175.0	76.4
—	5244 WM	—	10.4755 ⁽¹⁾	266.077	15.7480	400	5.2500	133.350	—	—	14.44	366.7	—	—	0.12	3.0	134.7	61.1
—	—	A-5244	8.6614	220	10.4687	265.905	5.2500	133.350	10.25	260.4	—	—	0.38	9.5	—	—	40.3	18.3
A-5248-WM	—	—	9.4488	240	17.3228	440	5.7500	146.050	11.22	285.0	15.84	402.4	0.38	9.5	0.12	3.0	234.0	106.1
—	5248 WM	—	11.4712 ⁽¹⁾	291.368	17.3228	440	5.7500	146.050	—	—	15.84	402.4	—	—	0.12	3.0	180.2	81.7
—	—	A-5248	9.4488	240	11.4640	291.186	5.7500	146.050	11.22	285.0	—	—	0.38	9.5	—	—	53.8	24.4

*R is the maximum shaft fillet radius which bearing corners will clear.

⁽¹⁾ Minimum diameter under rollers.

‡r is the maximum housing fillet radius which bearing corners will clear.